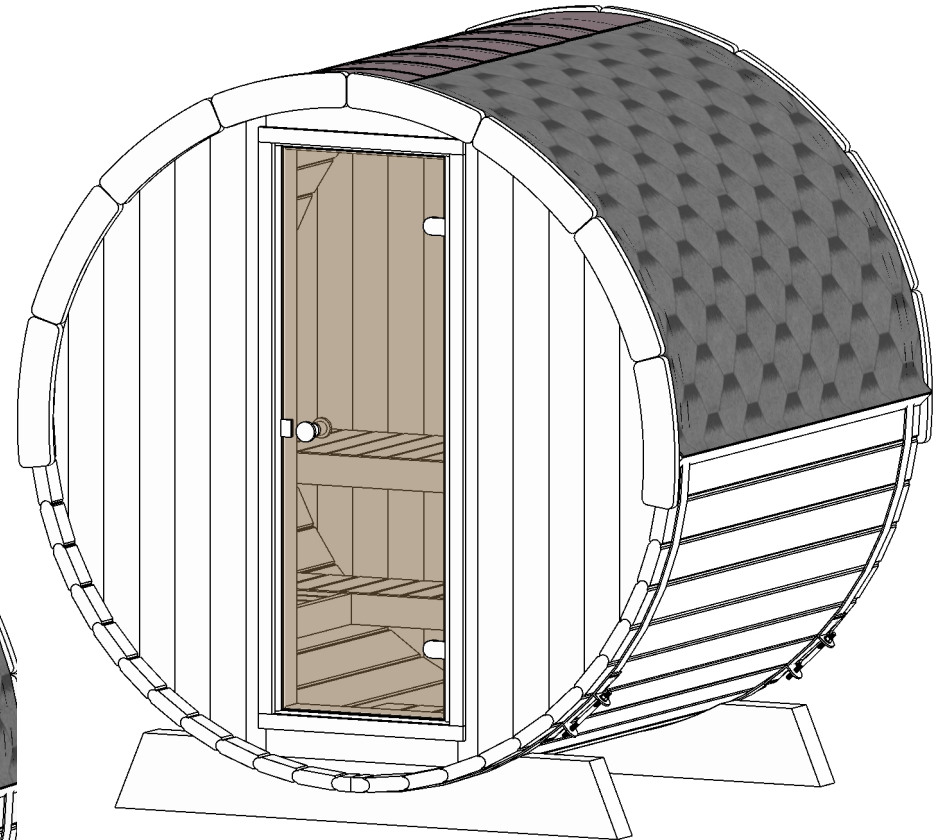
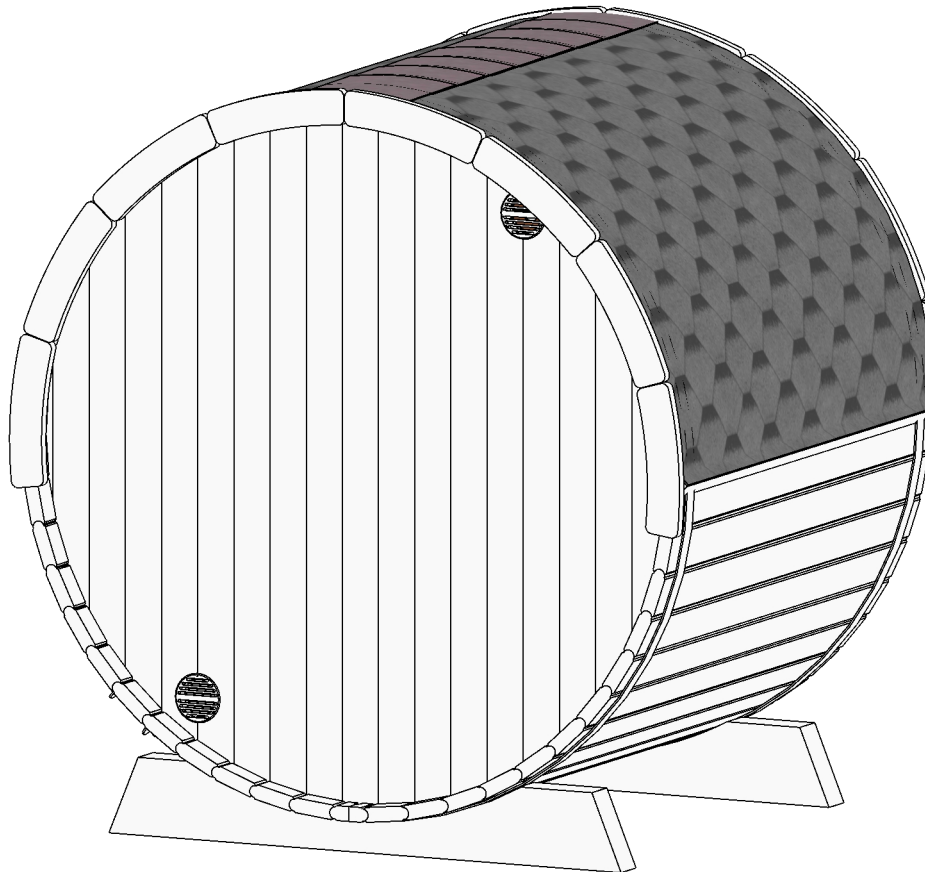


Sauna 160, Ø200

**NB! Please read whole manual
before start.**

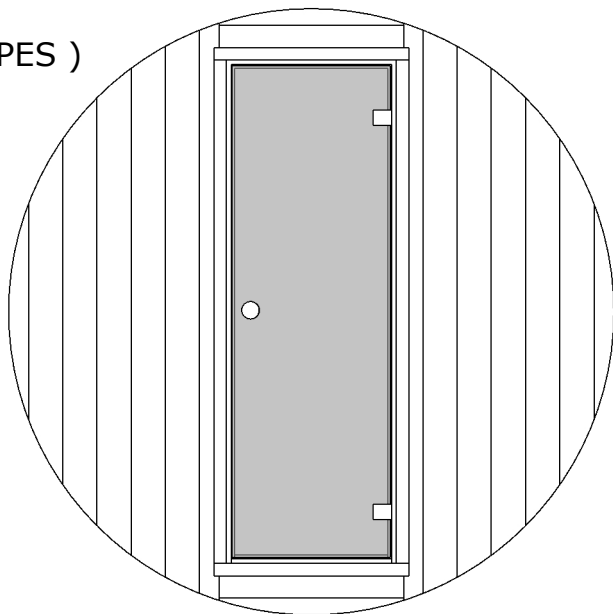
**All given measurements
are in millimeters!**



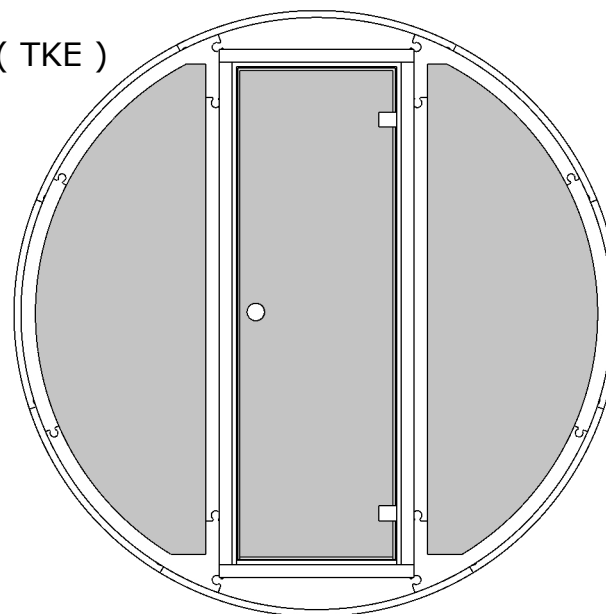
Sauna 160, Ø200

Walls configuration.

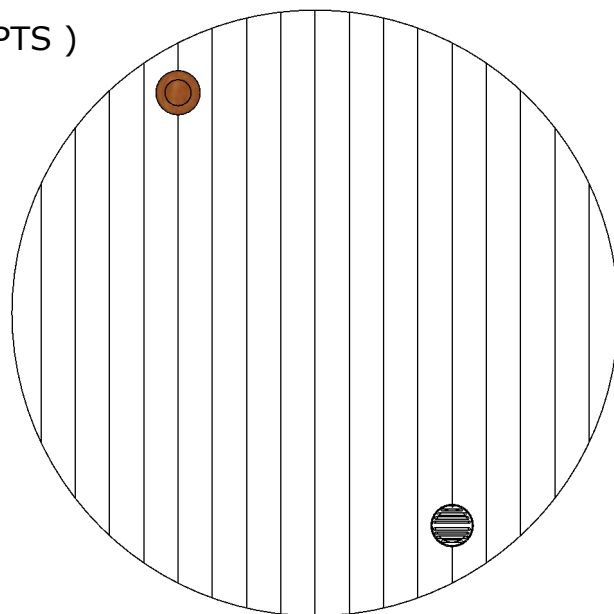
(PES)



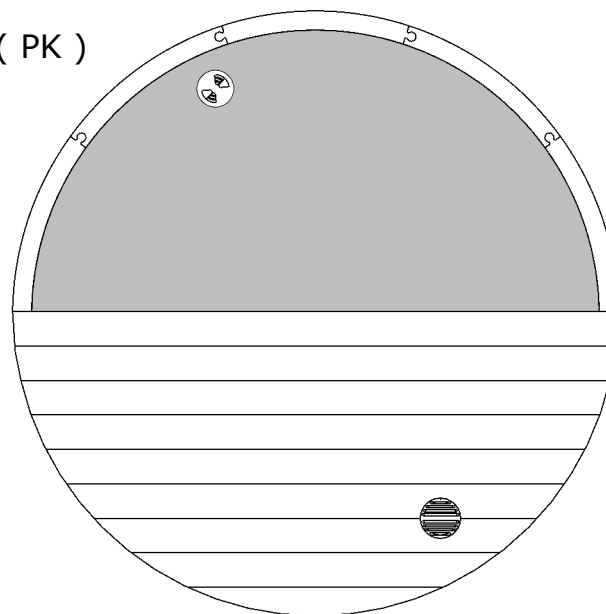
(TKE)



(PTS)

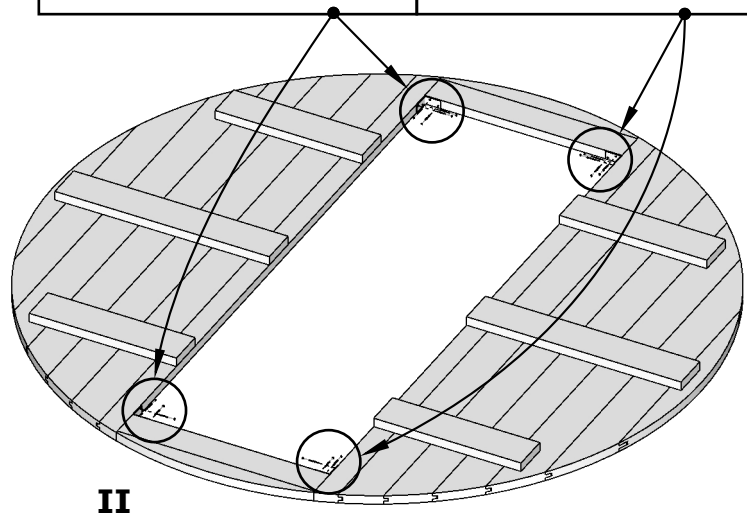
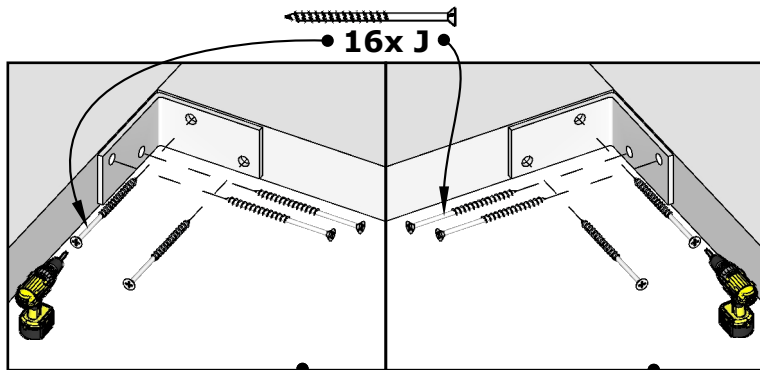
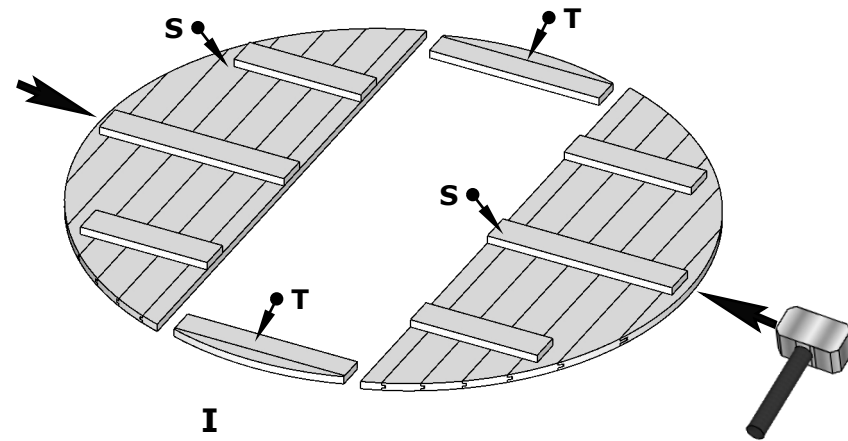
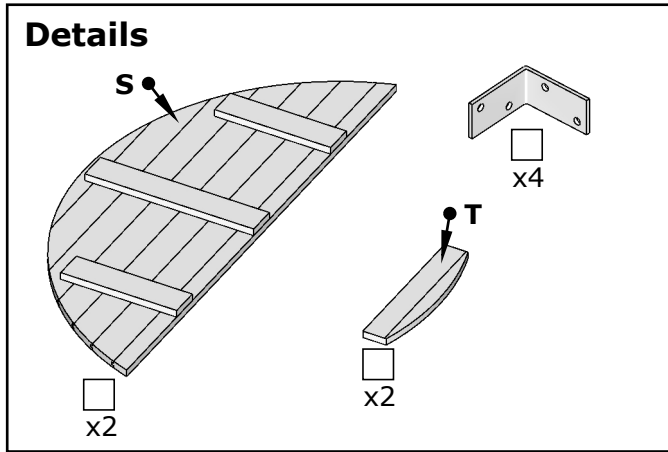


(PK)

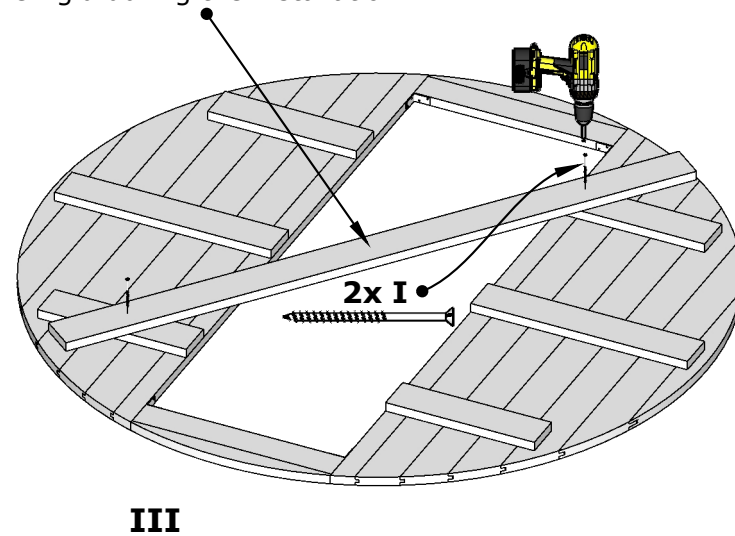


Wooden front wall assembly

Details

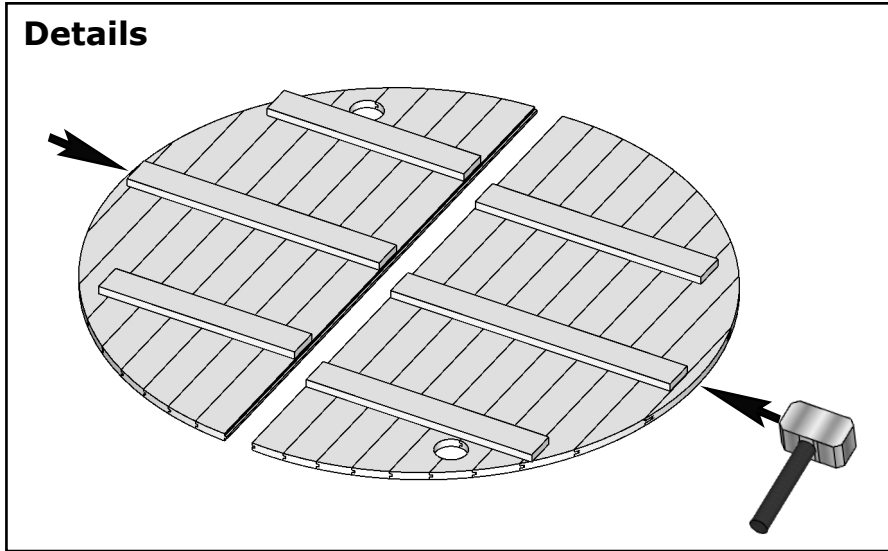


Cut board from pallet L= \sim 1900mm.
Fix it diagonally to make wall
more rigid during the installation.

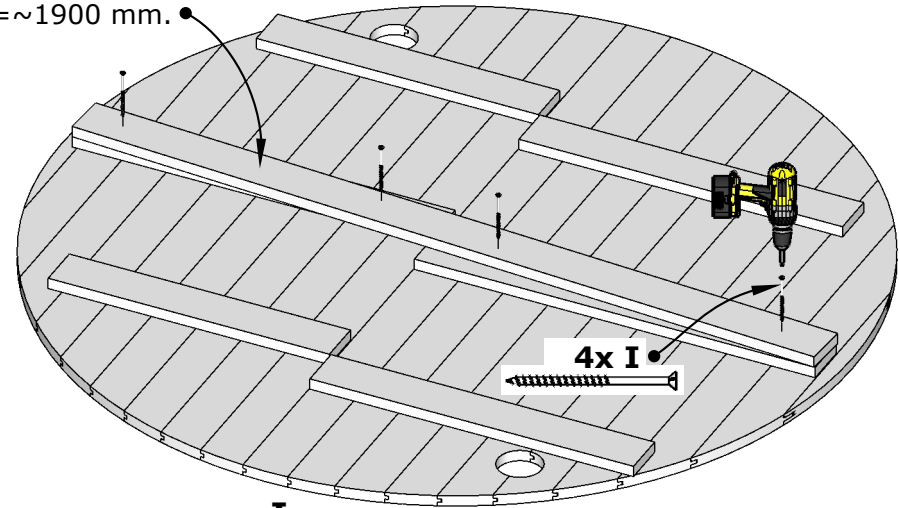


Wooden back wall assembly

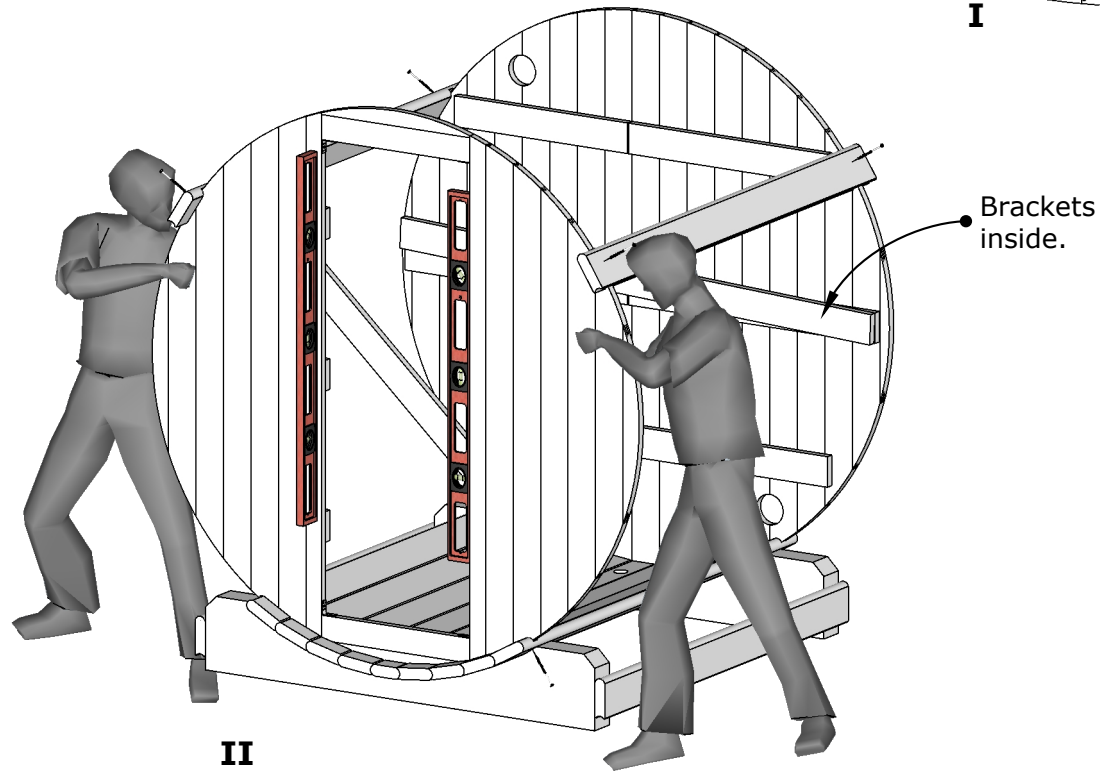
Details



Cut board from pallet
L ≈ 1900 mm.



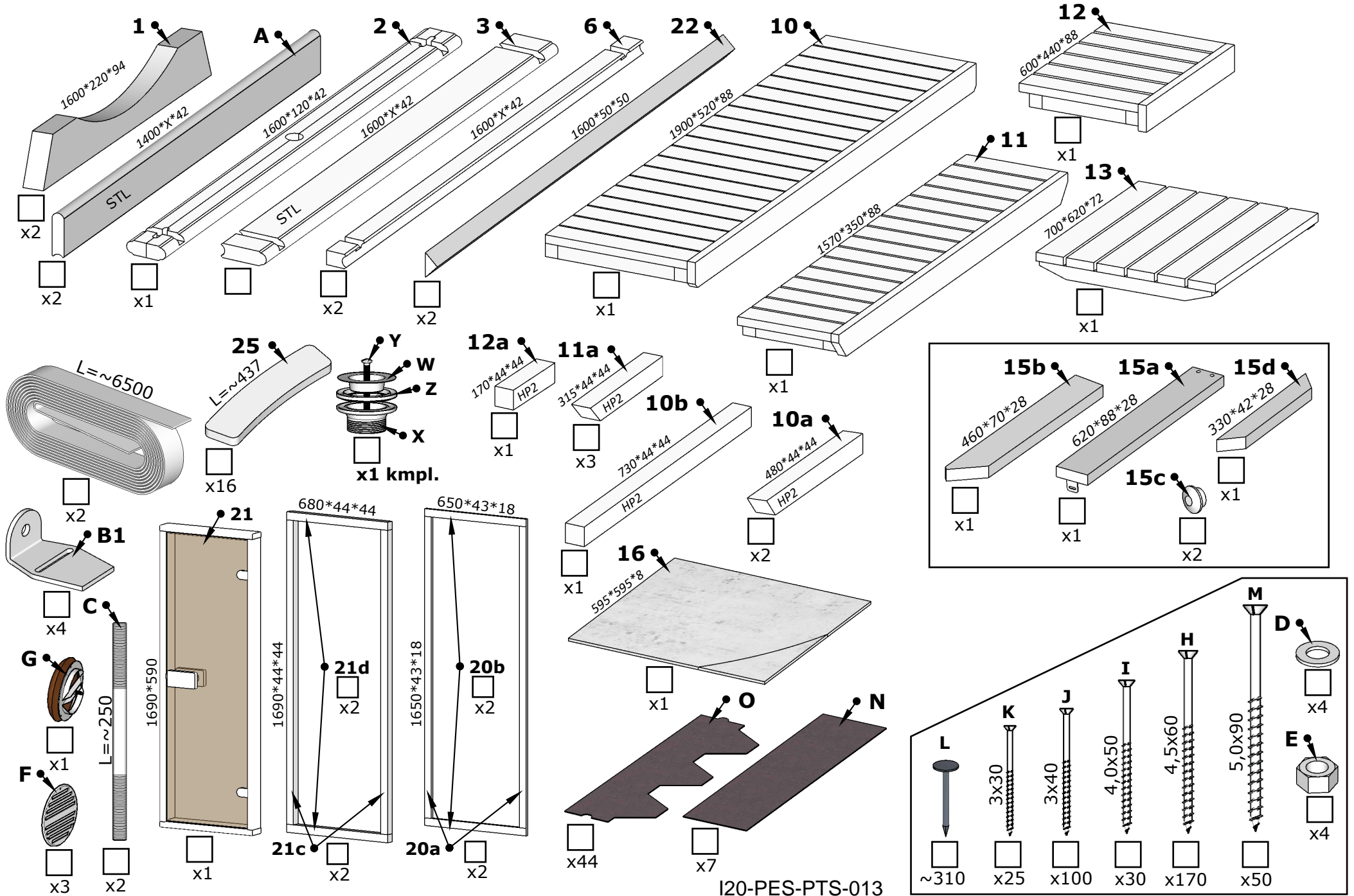
I



II

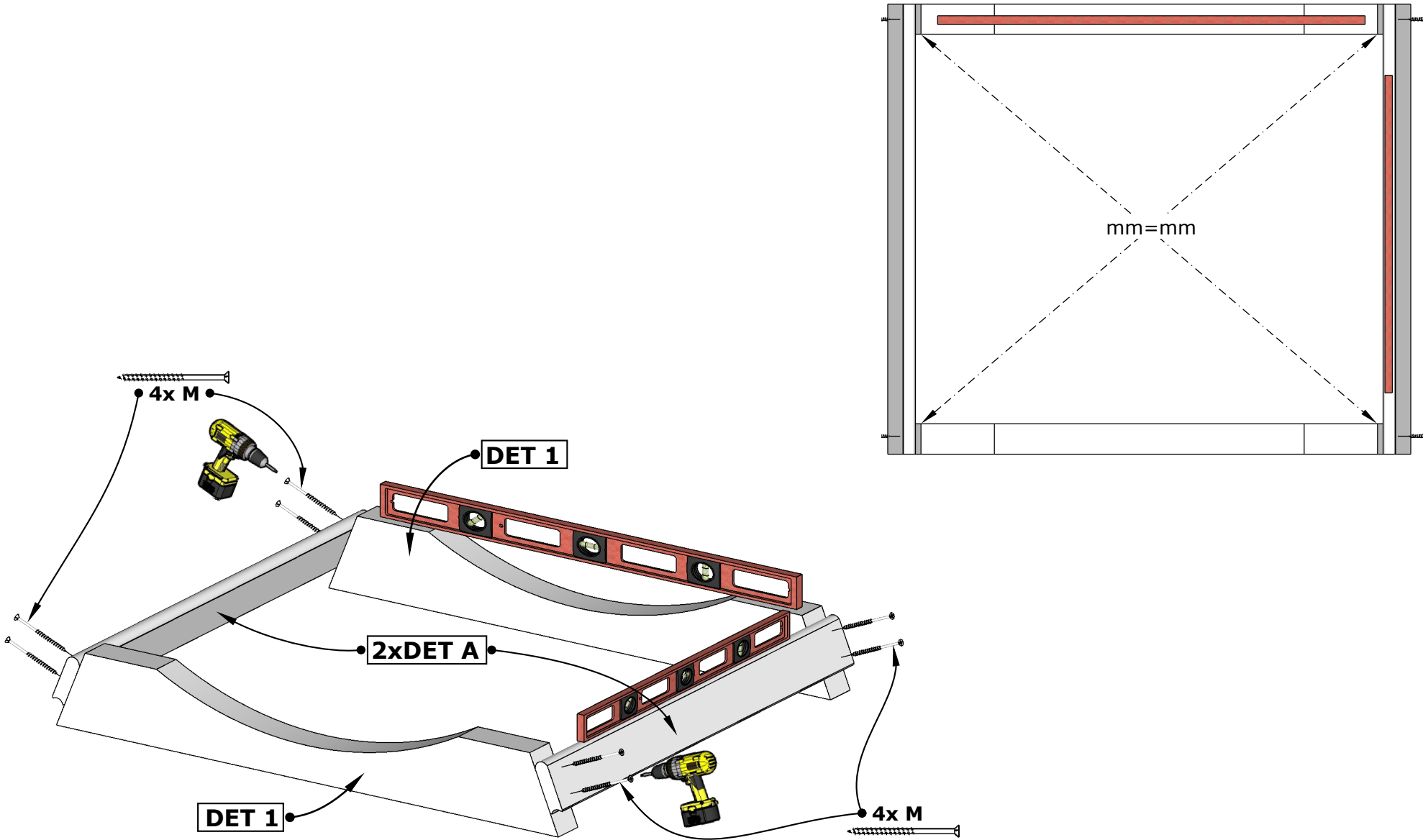
Sauna 160, Ø200

Details list.

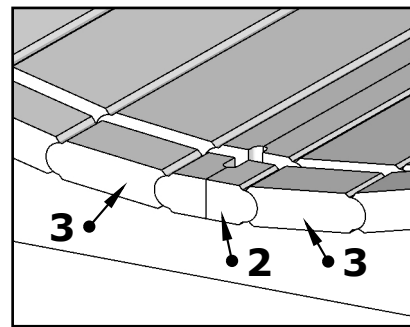
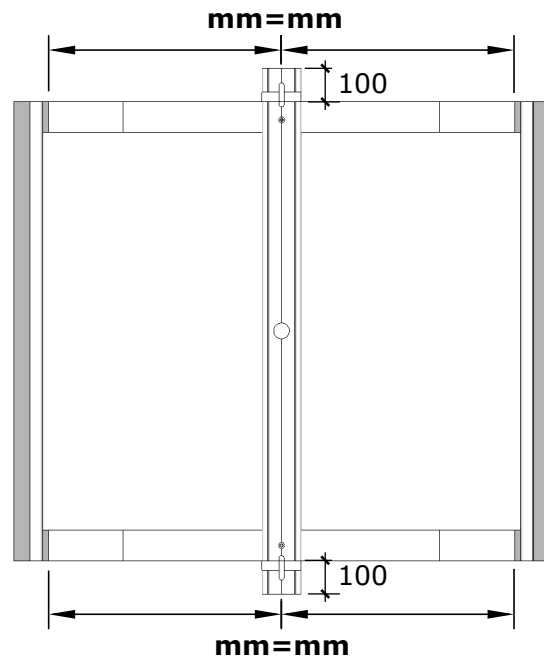
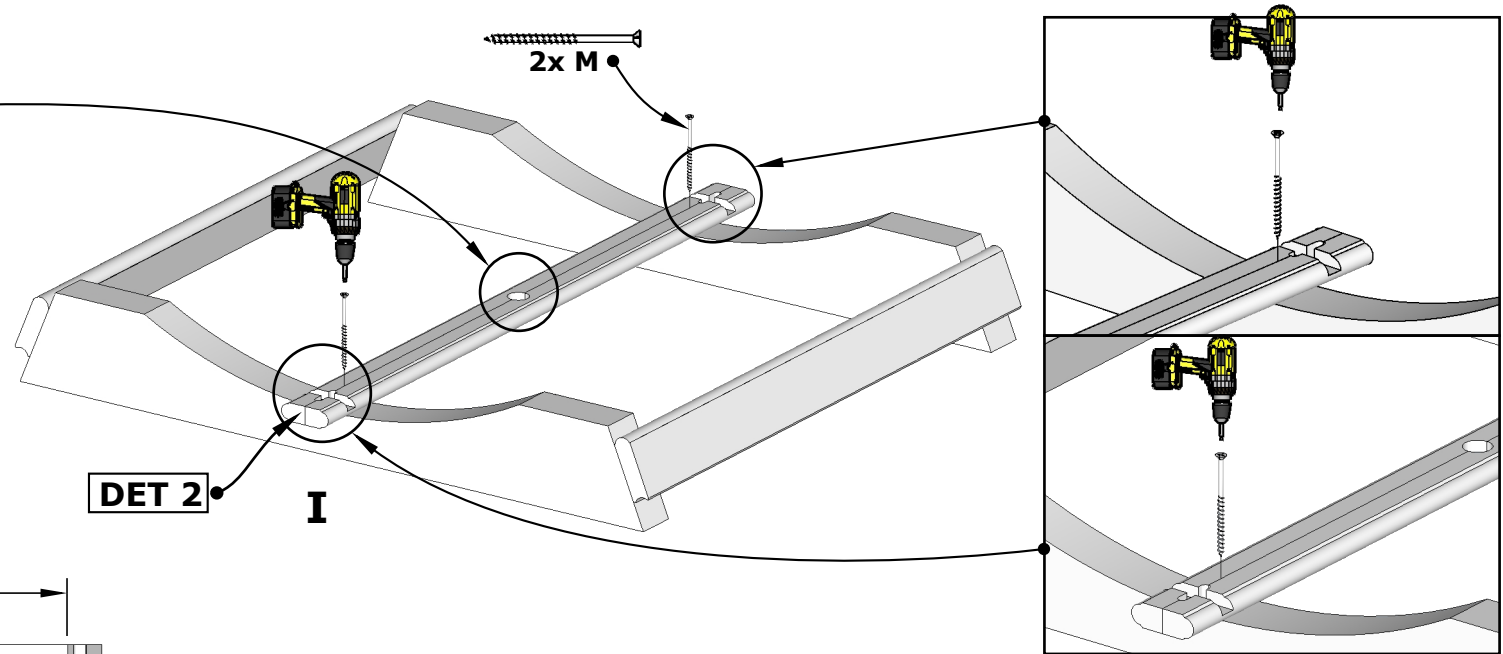
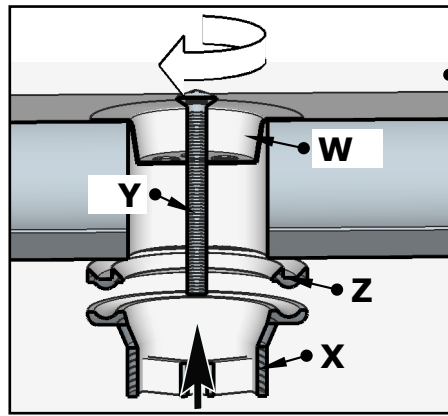


I20-PES-PTS-013

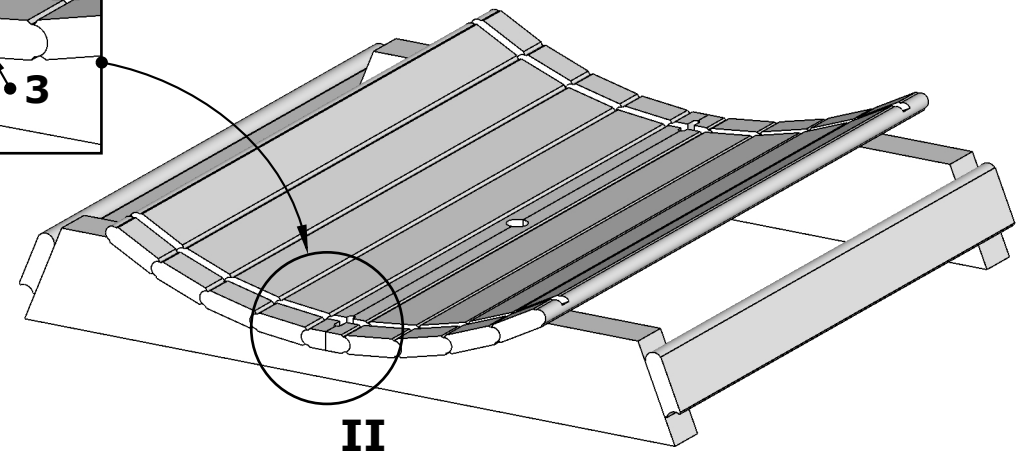
Sauna 160, Ø200



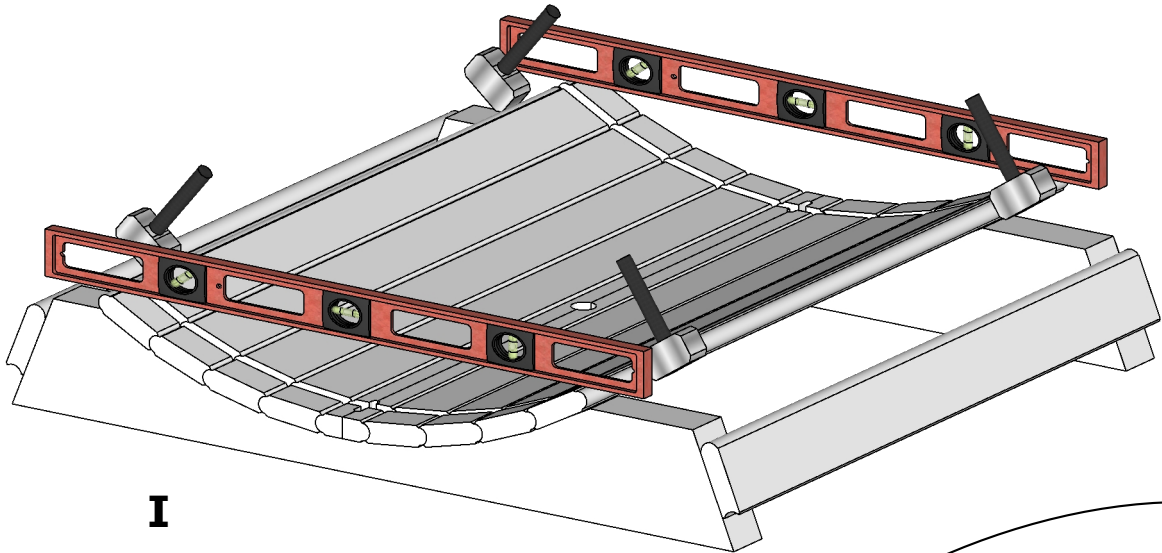
Sauna 160, Ø200



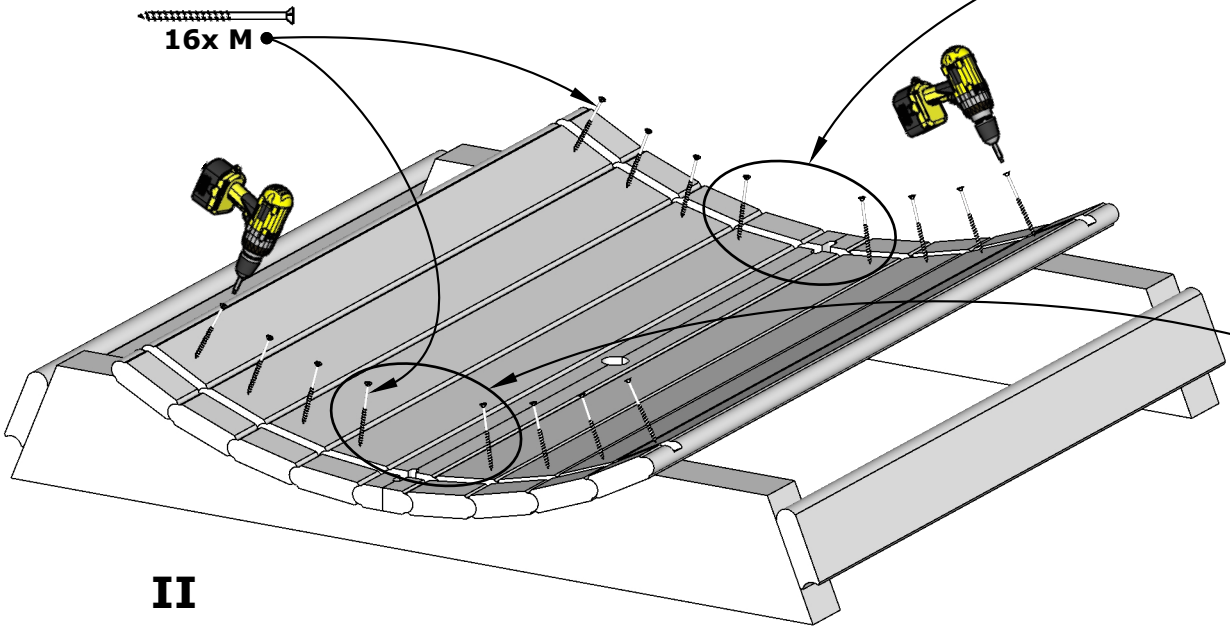
DET 3



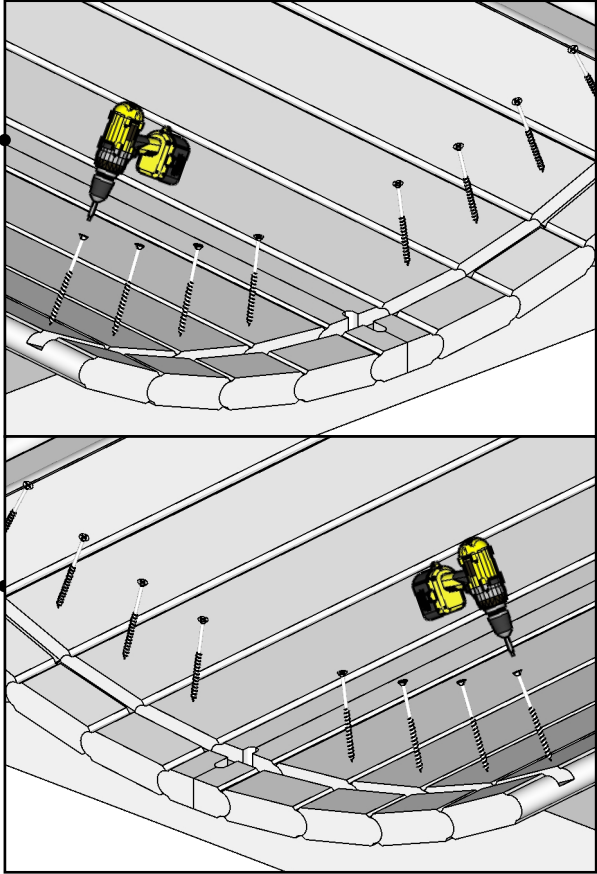
Sauna 160, Ø200



I



II



Sauna 160, Ø200

Use waterlevel

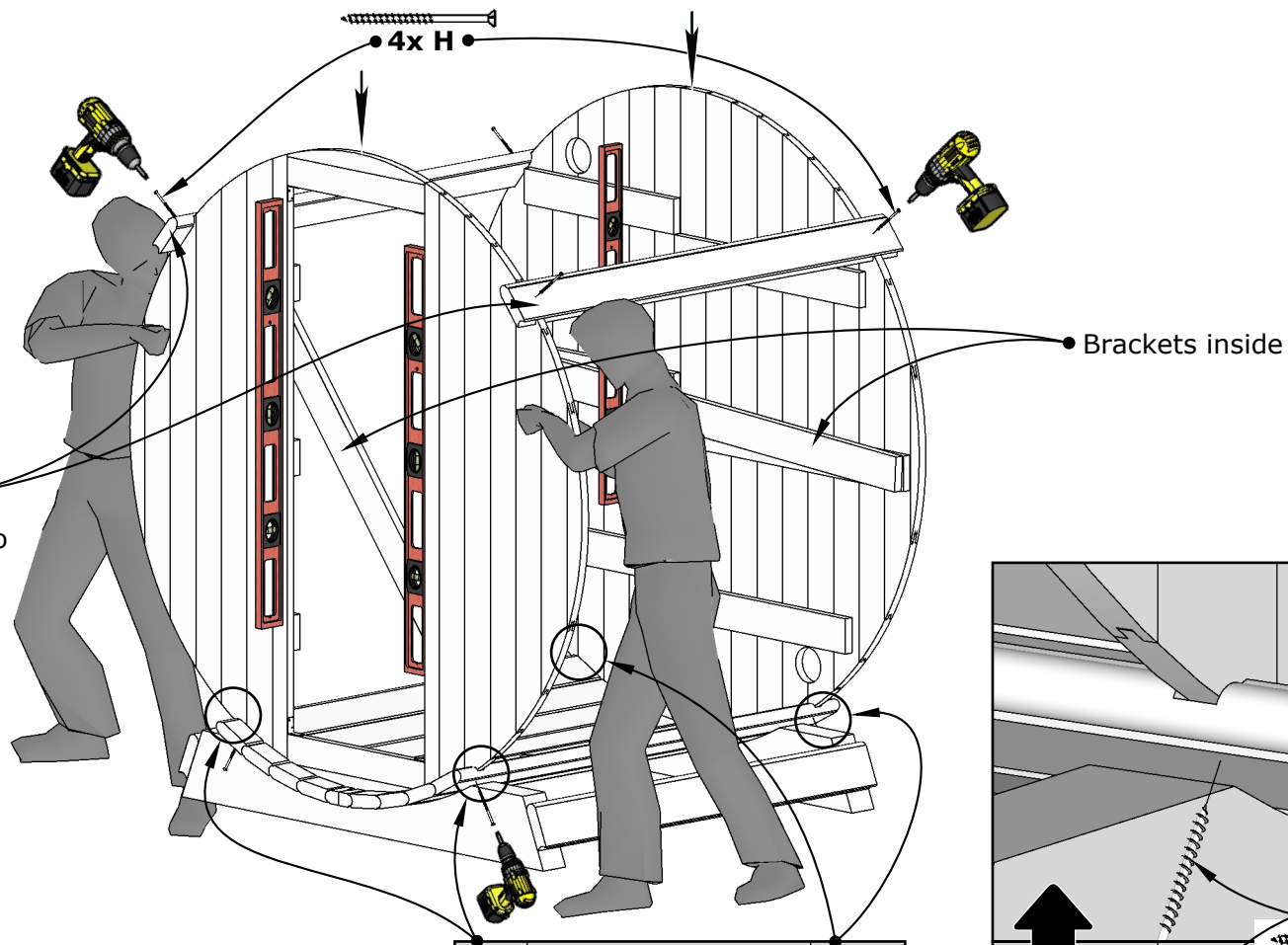


Check walls installation manual on extra pages!

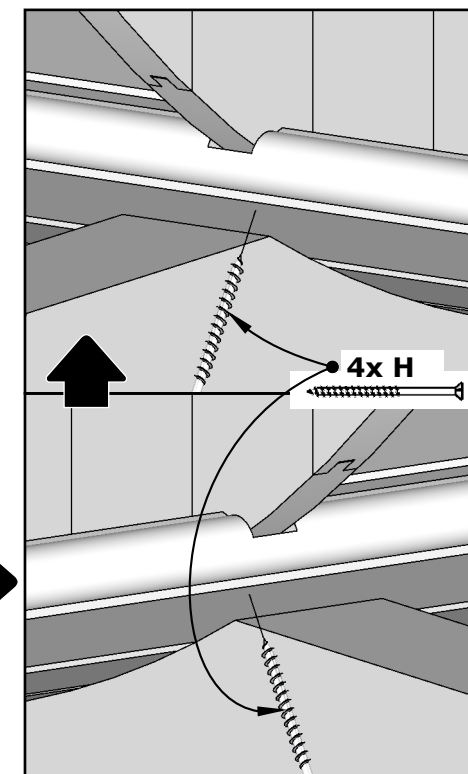
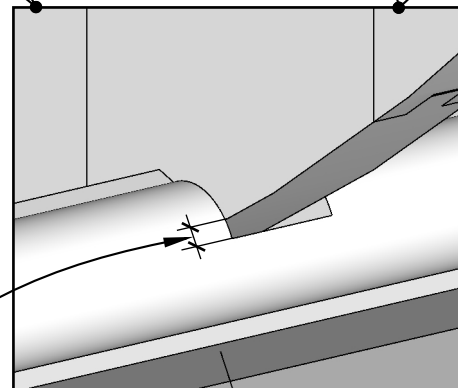
Sauna wall configuration depends on Your model!

DET 3

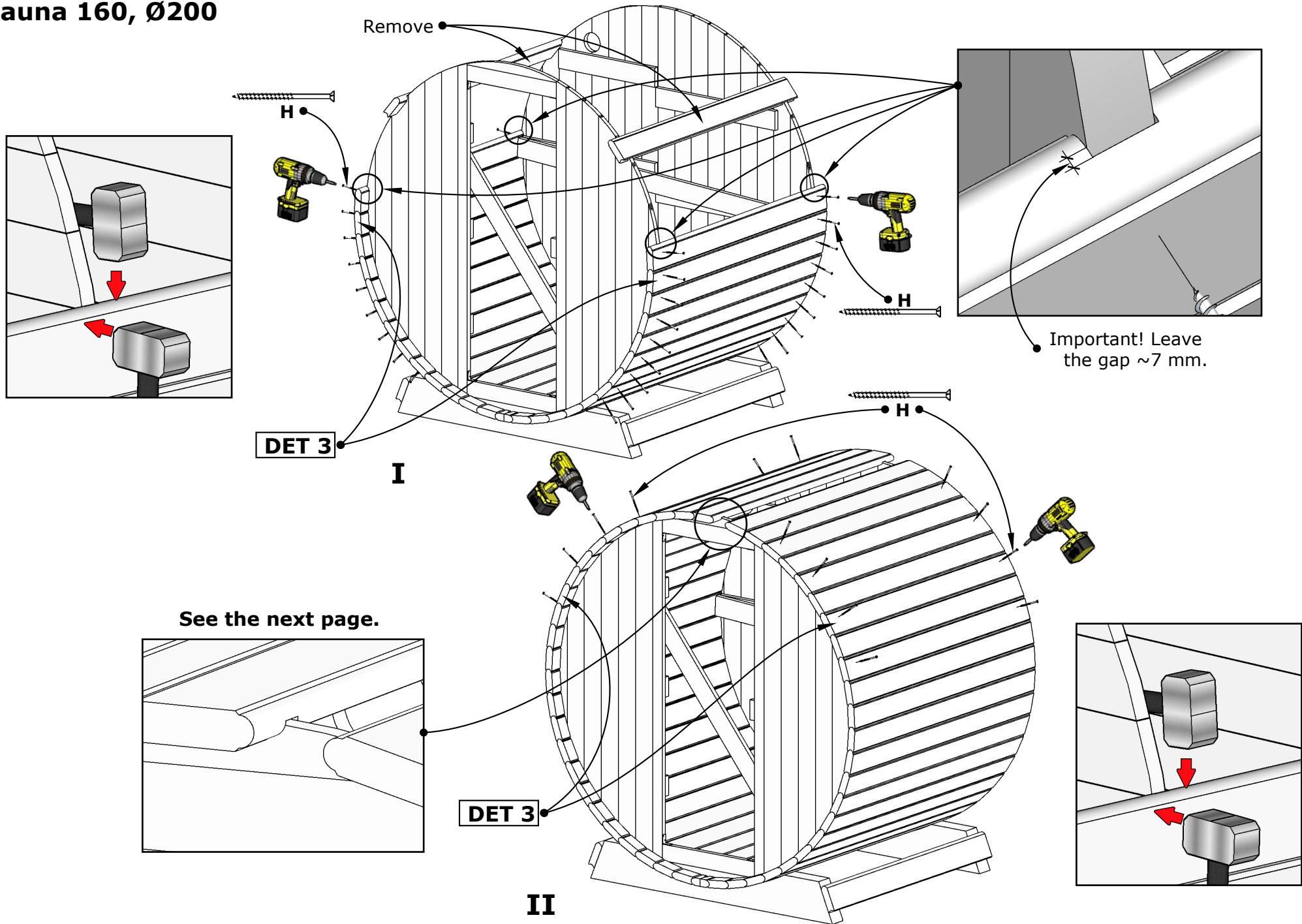
Fix temporarily to support walls.



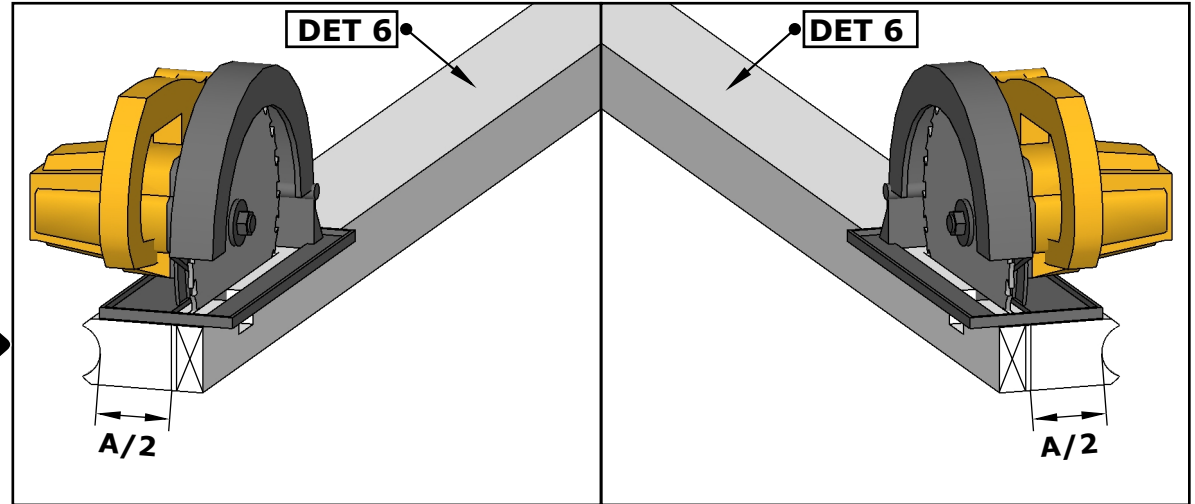
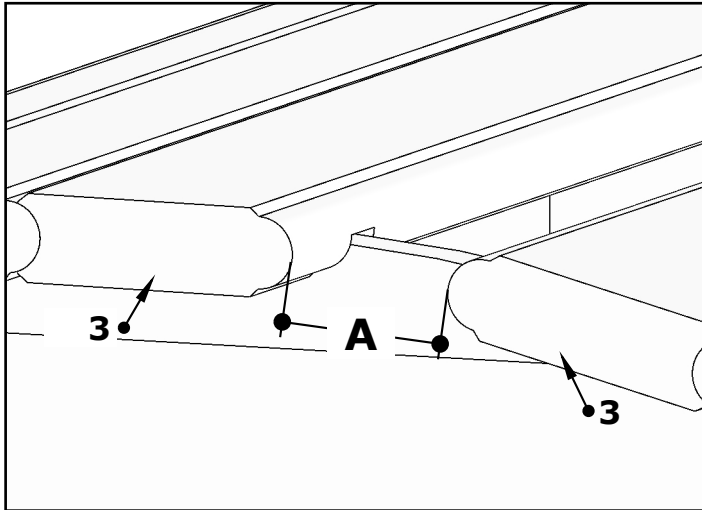
Important! Leave the gap ~7 mm.



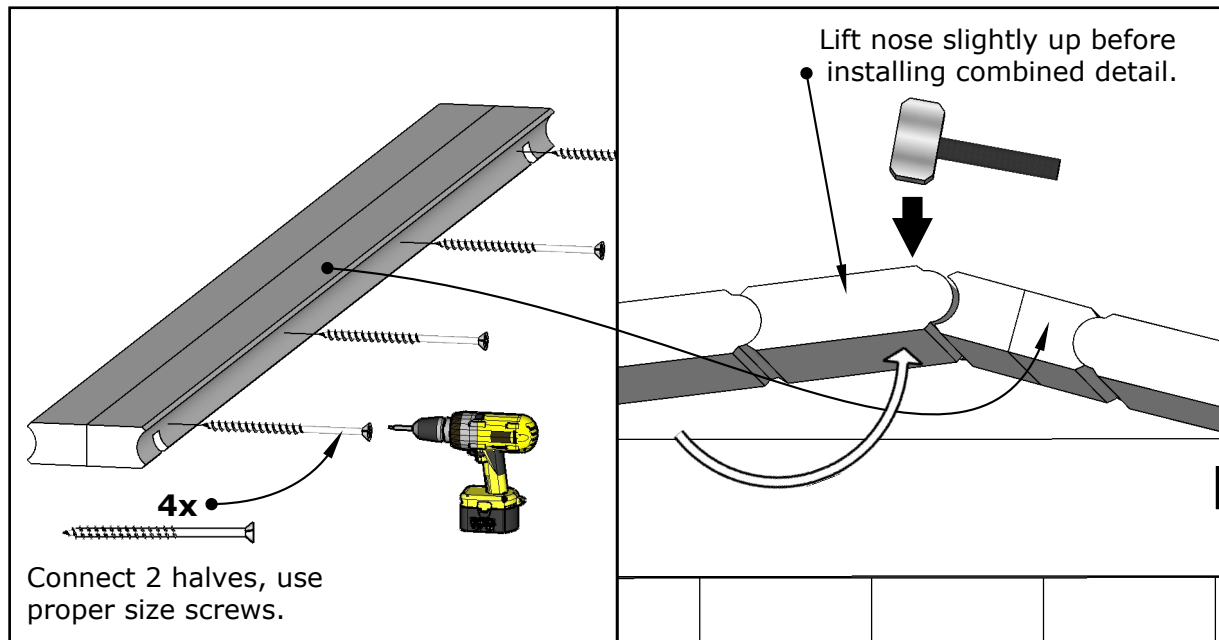
Sauna 160, Ø200



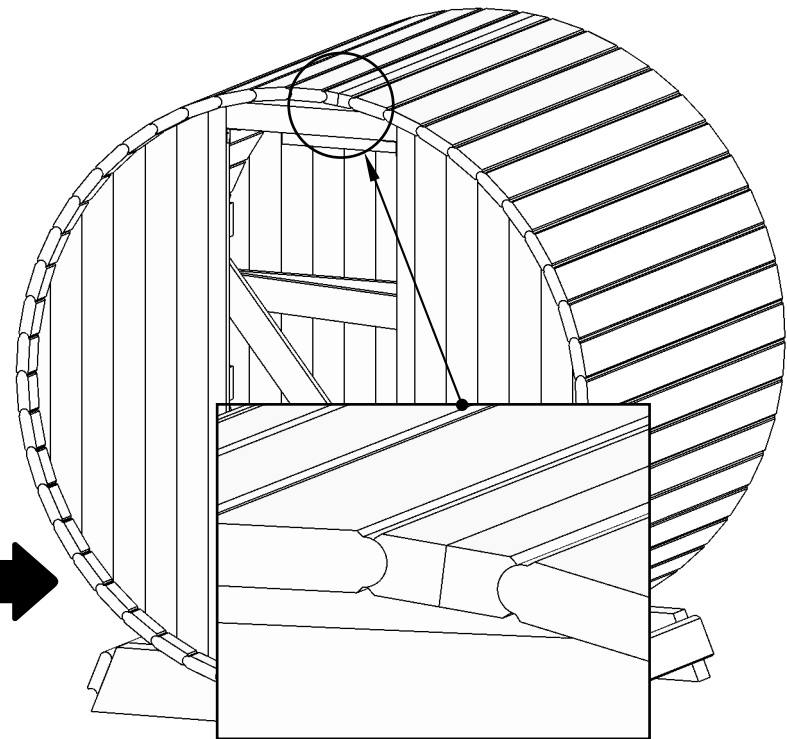
Sauna 160, Ø200



I



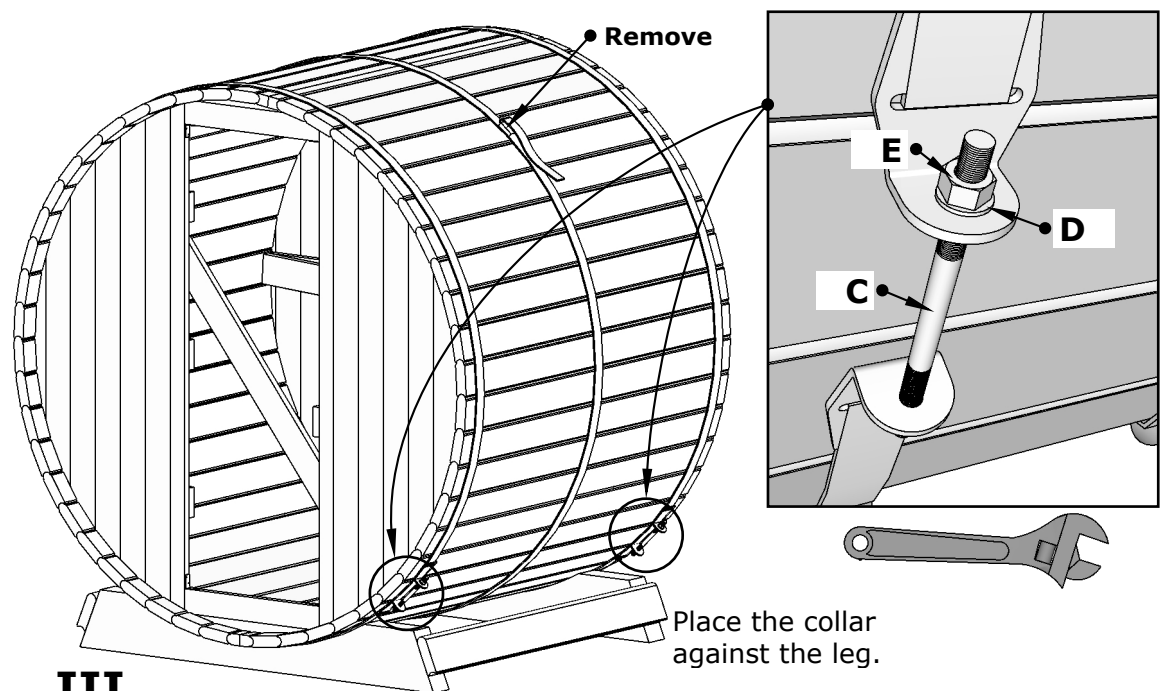
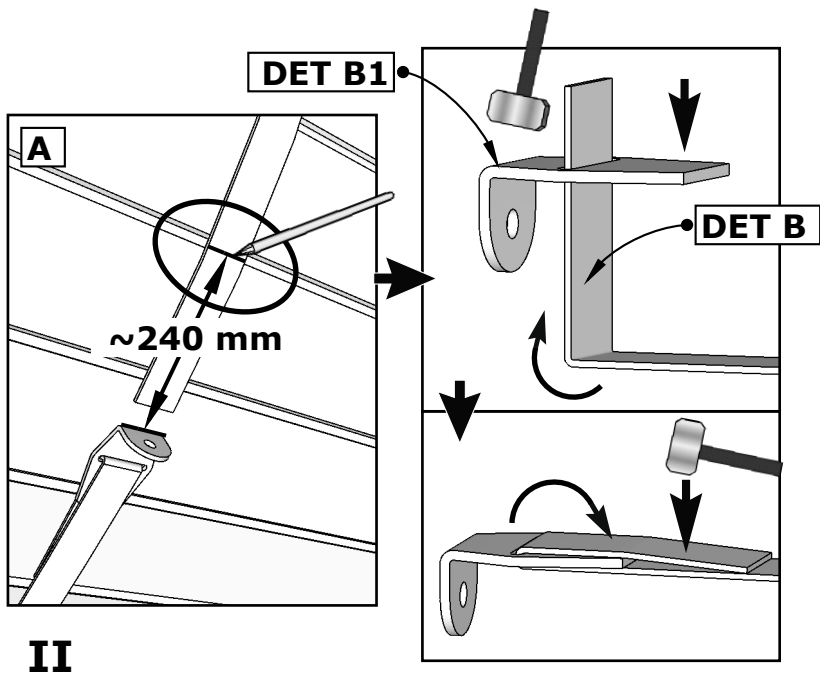
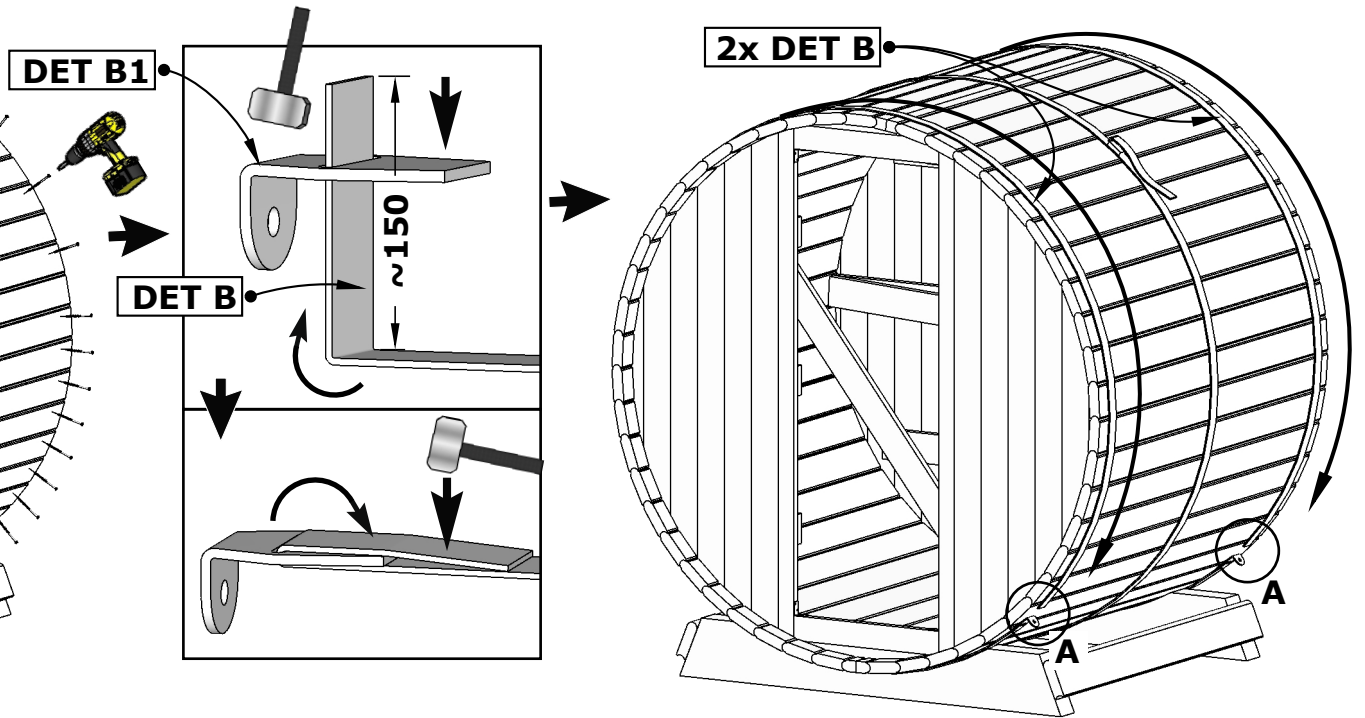
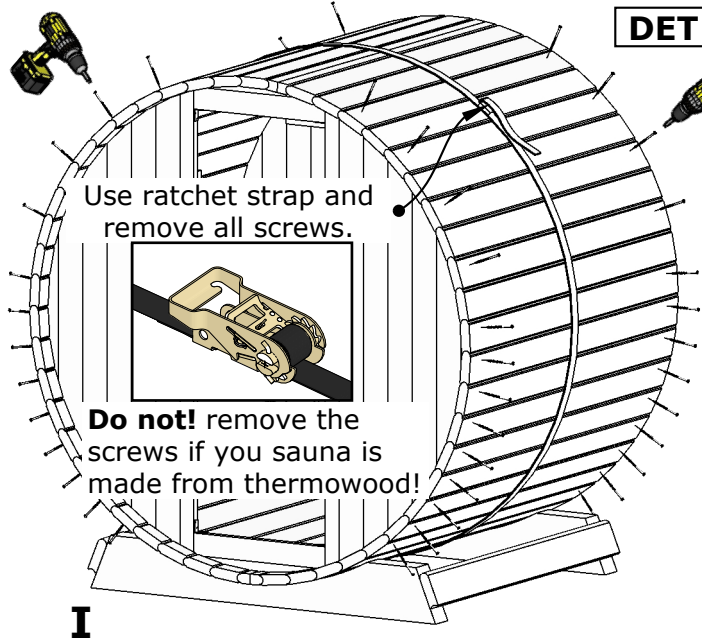
Lift nose slightly up before installing combined detail.



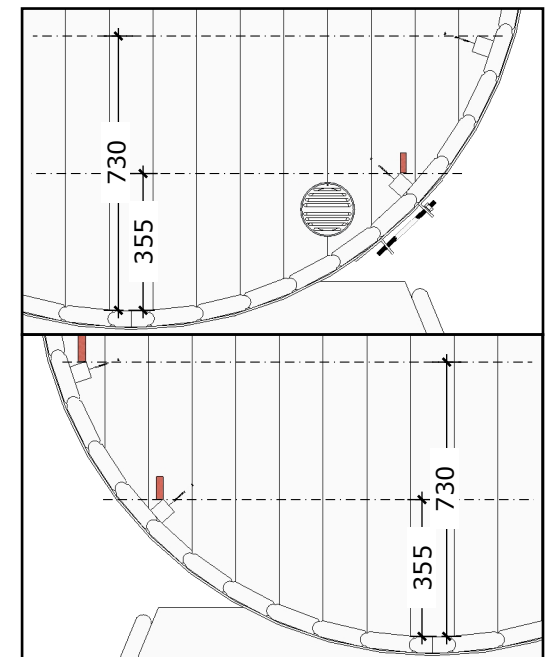
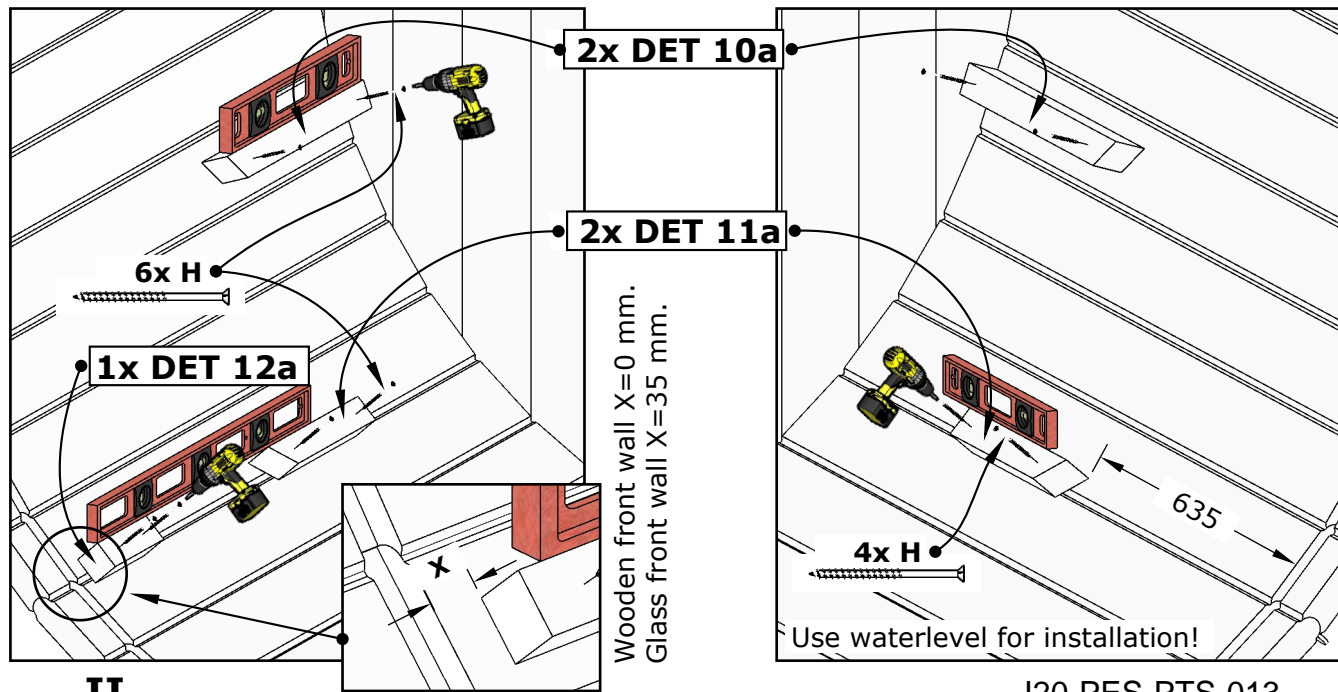
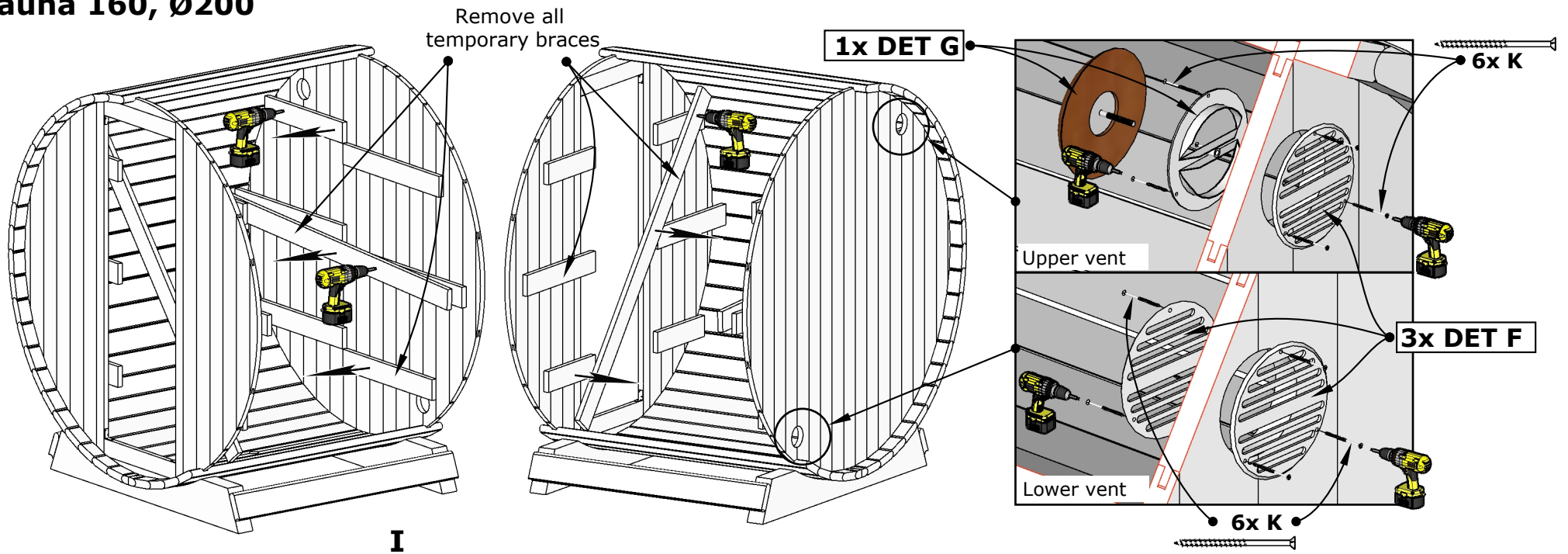
II

6.

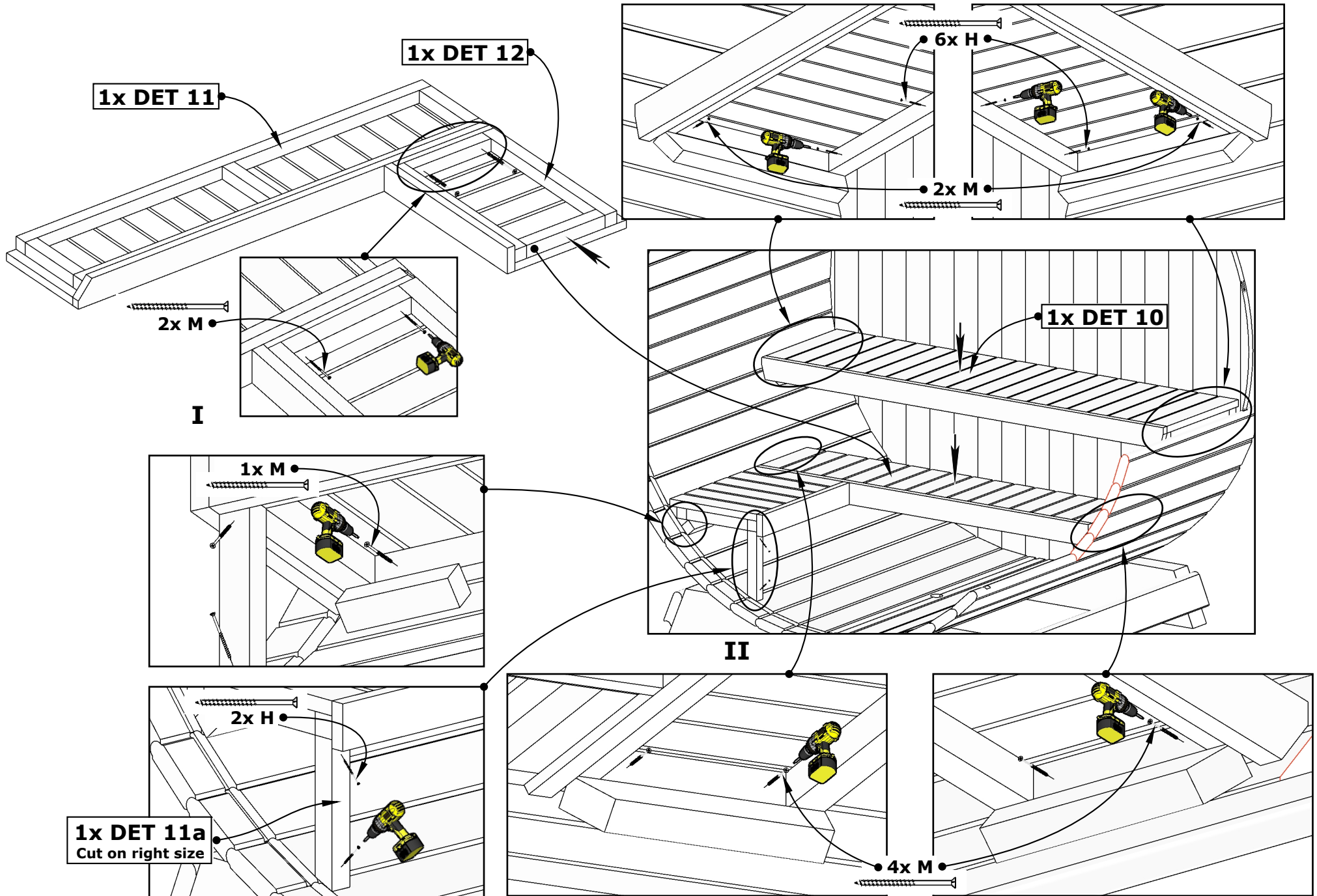
Sauna 160, Ø200



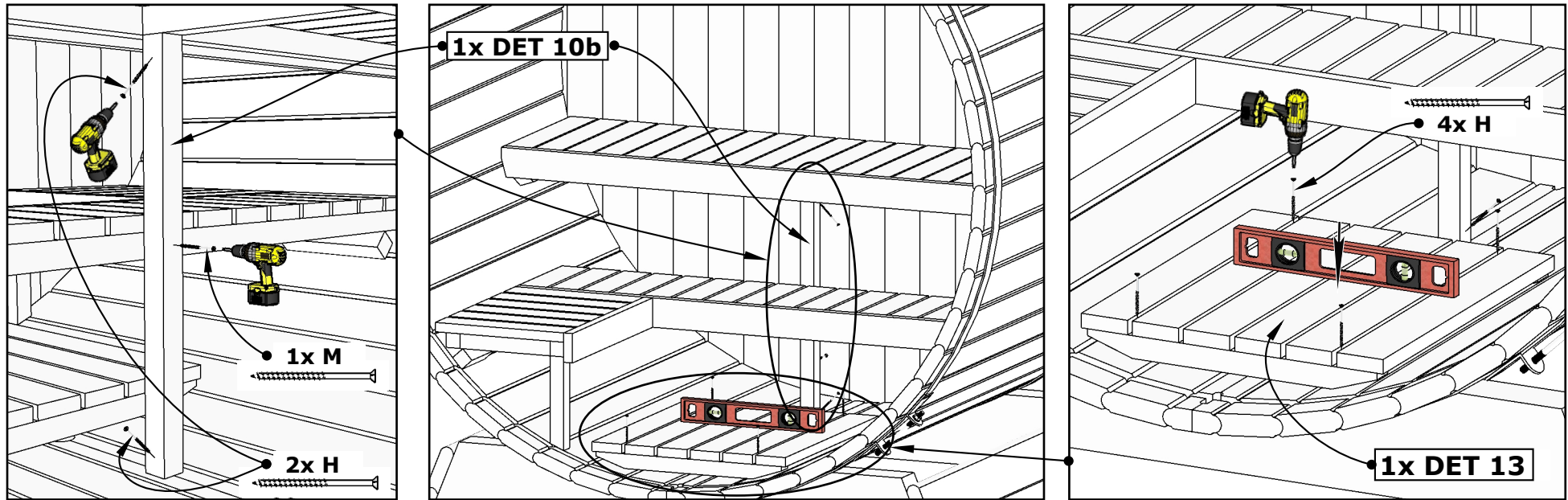
Sauna 160, Ø200



Sauna 160, Ø200

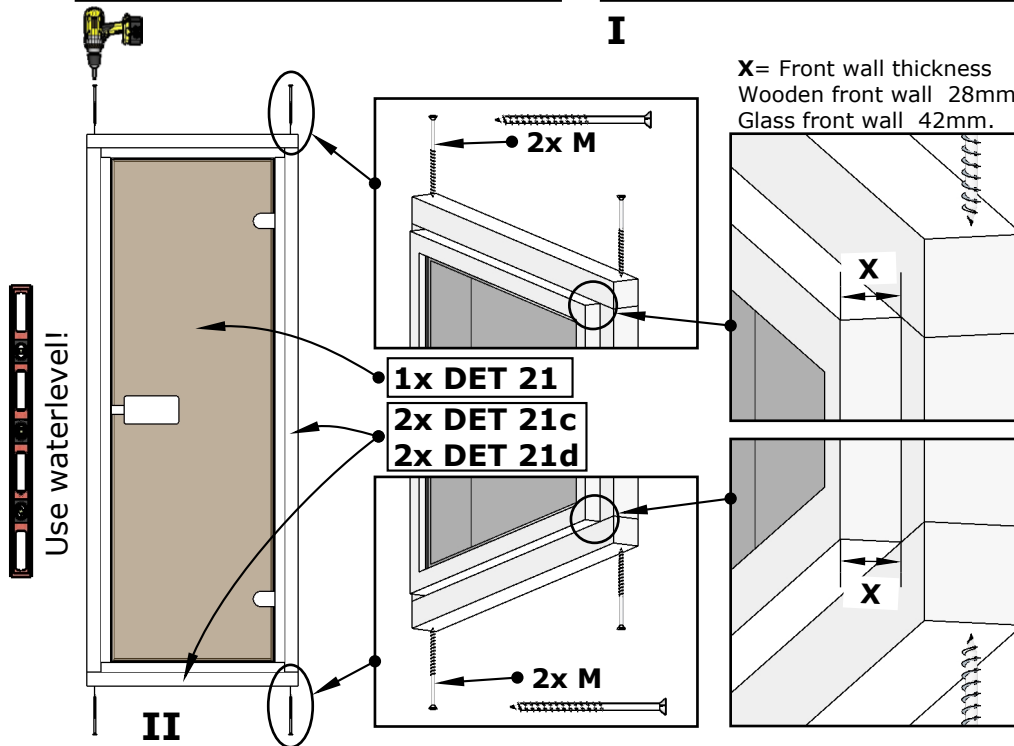


Sauna 160, Ø200

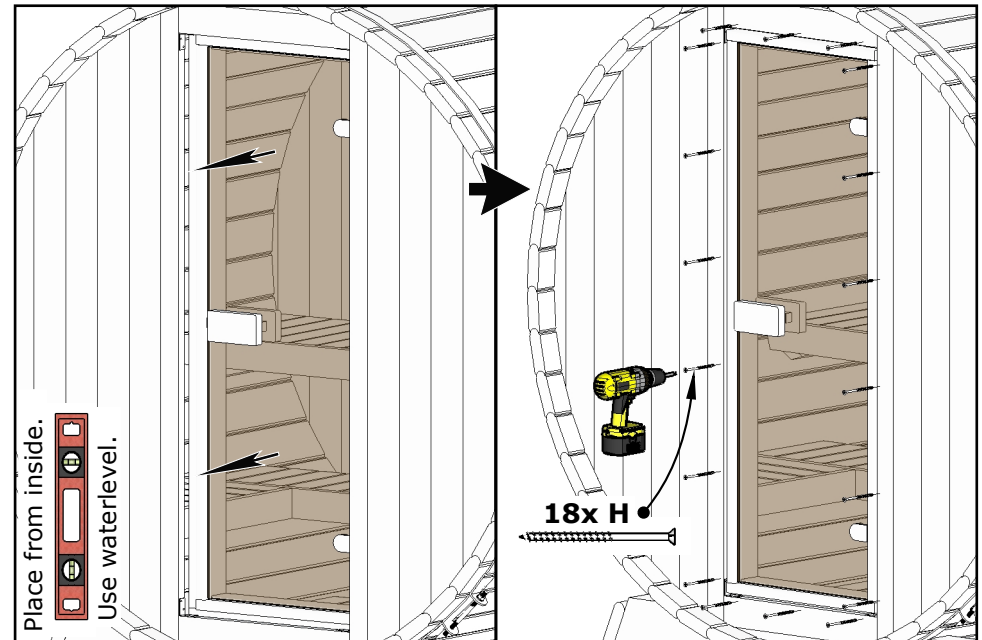


I

X= Front wall thickness
 Wooden front wall 28mm.
 Glass front wall 42mm.

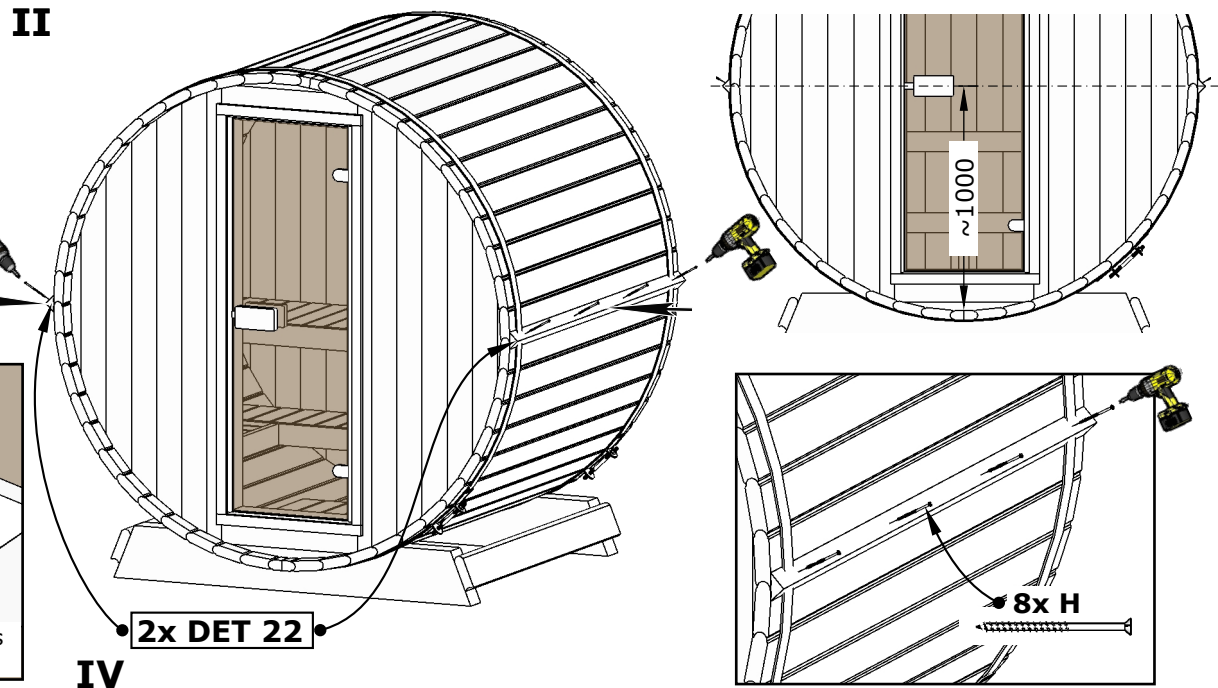
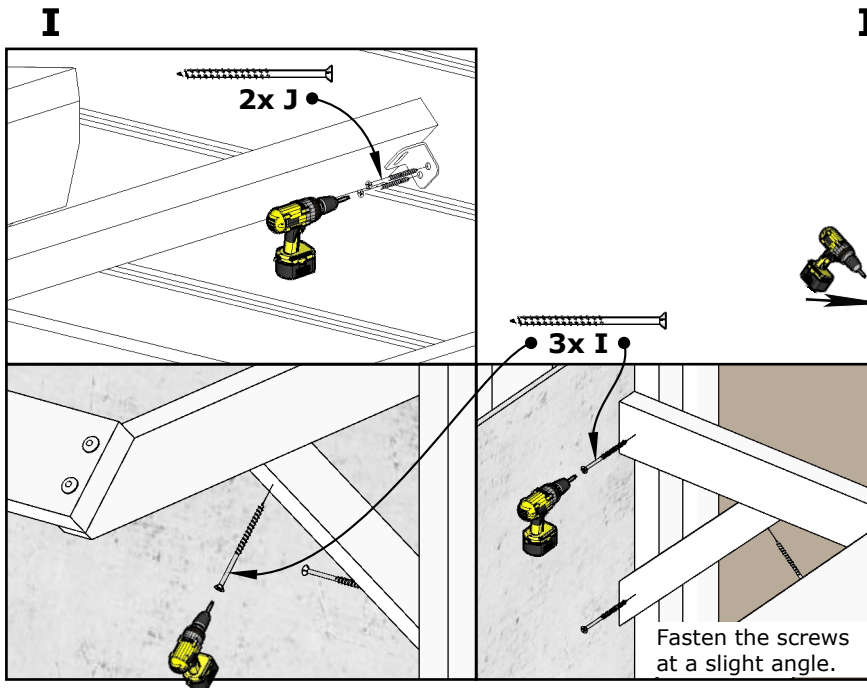
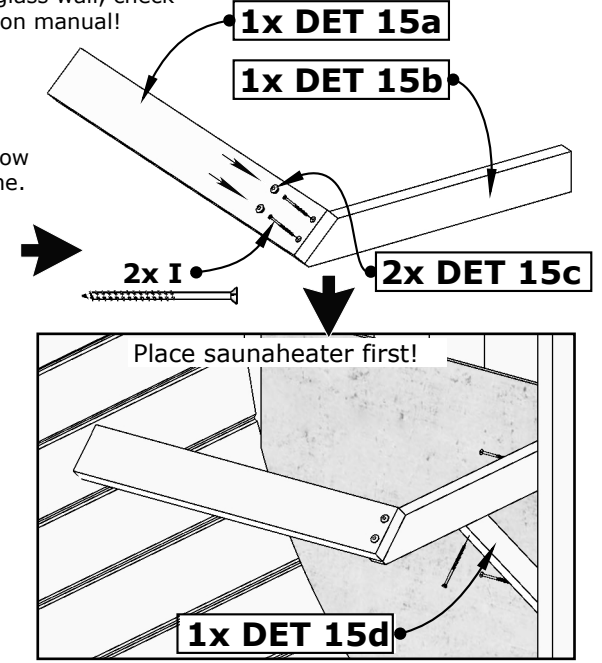
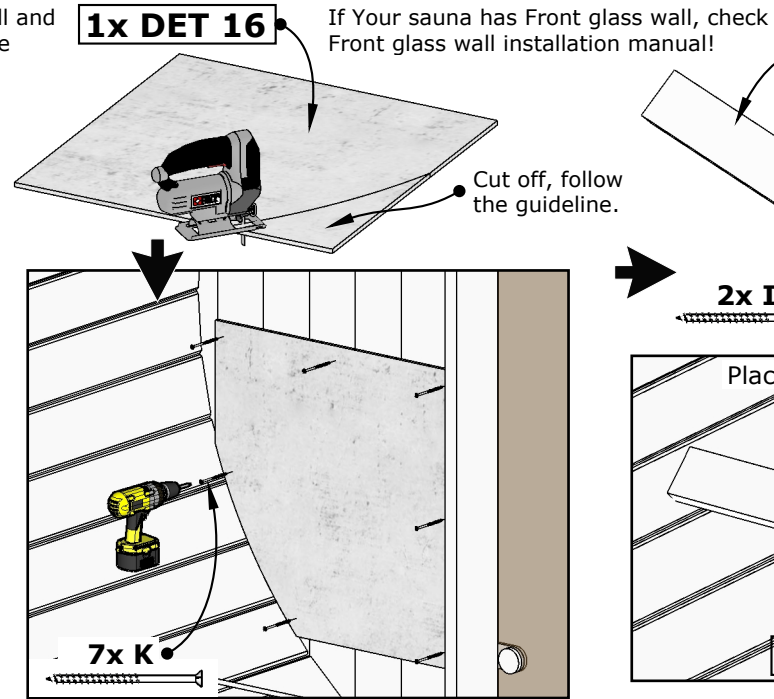
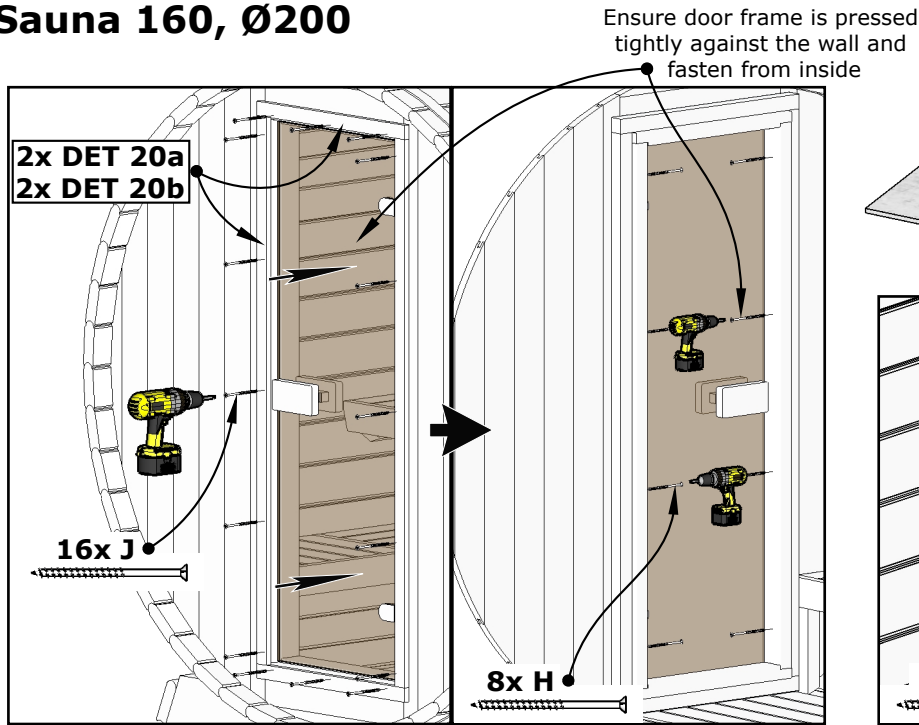


II



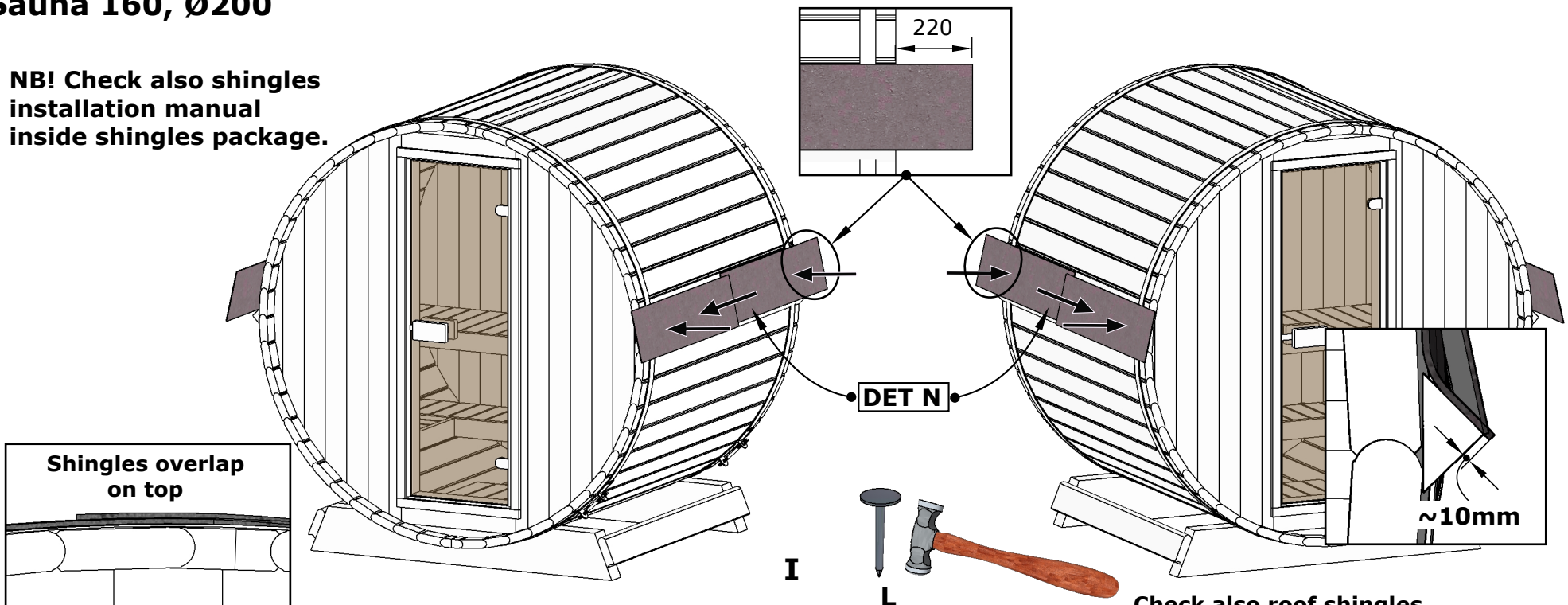
I20-PES-PTS-013

Sauna 160, Ø200

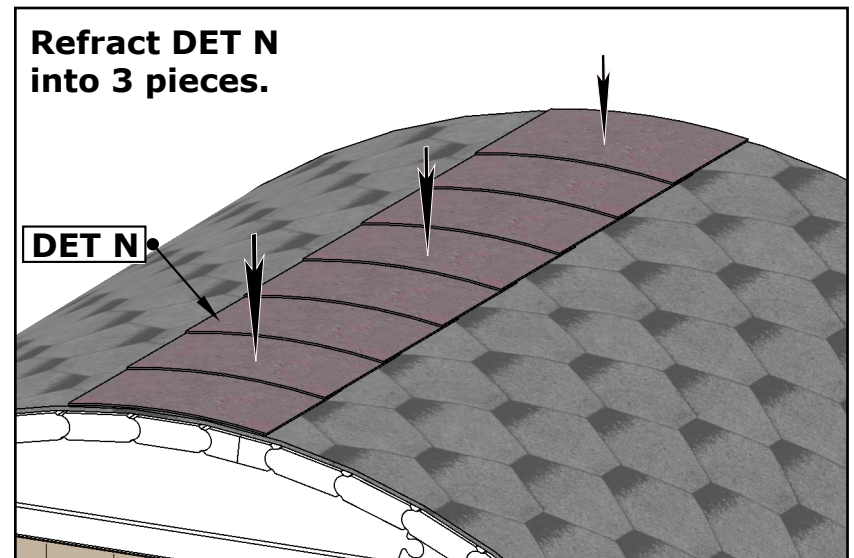
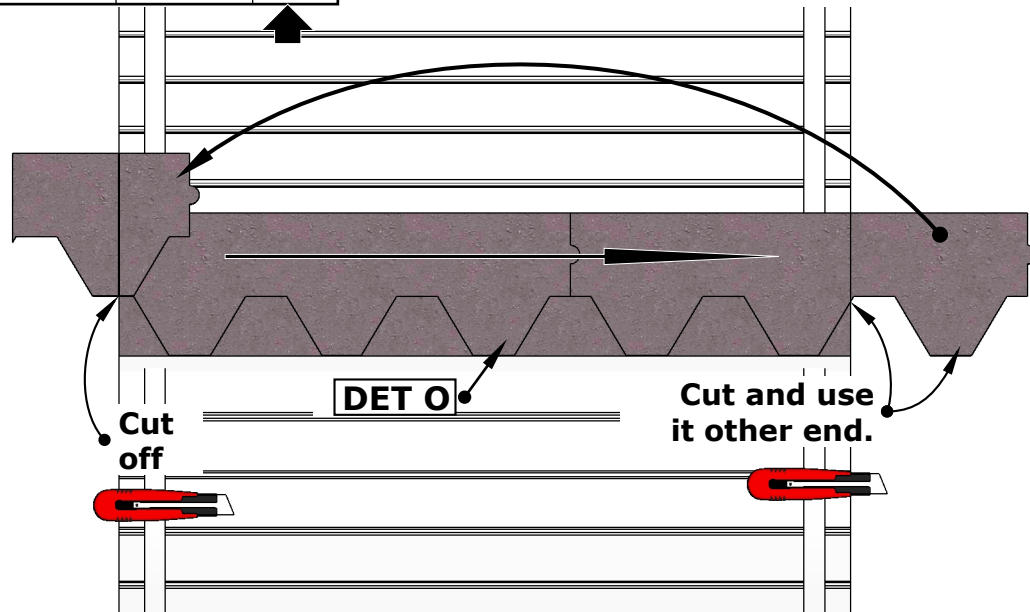
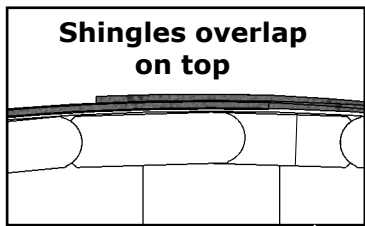


Sauna 160, Ø200

NB! Check also shingles installation manual inside shingles package.

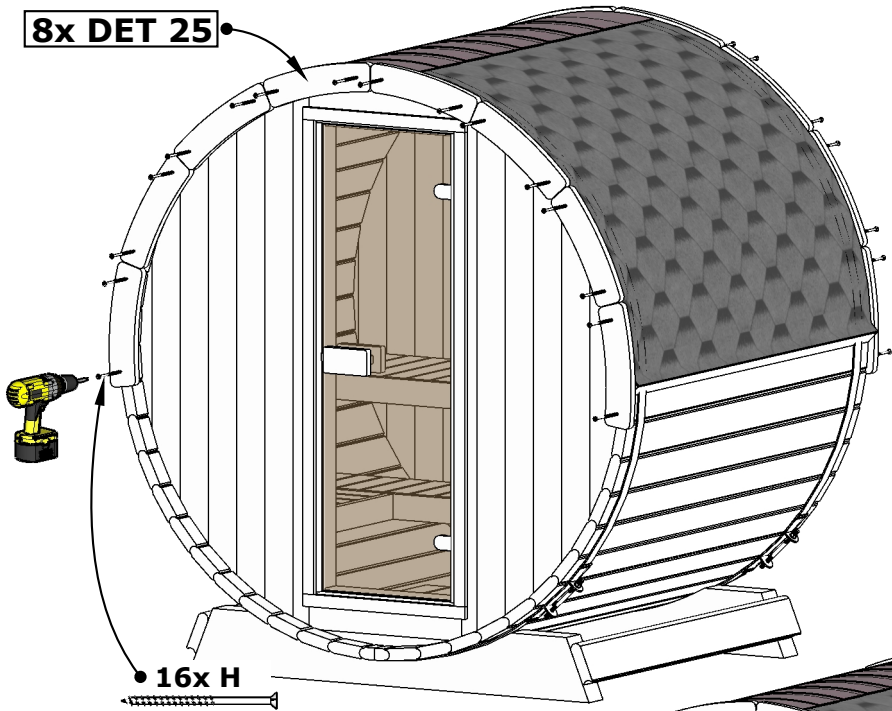


Check also roof shingles installation manual inside package.



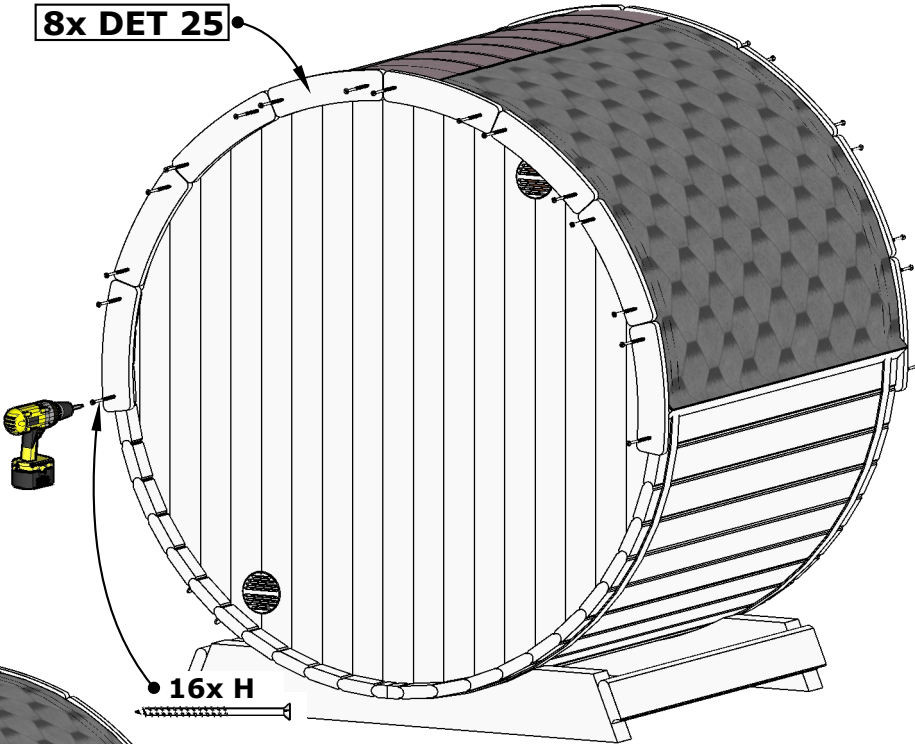
Sauna 160, Ø200

8x DET 25

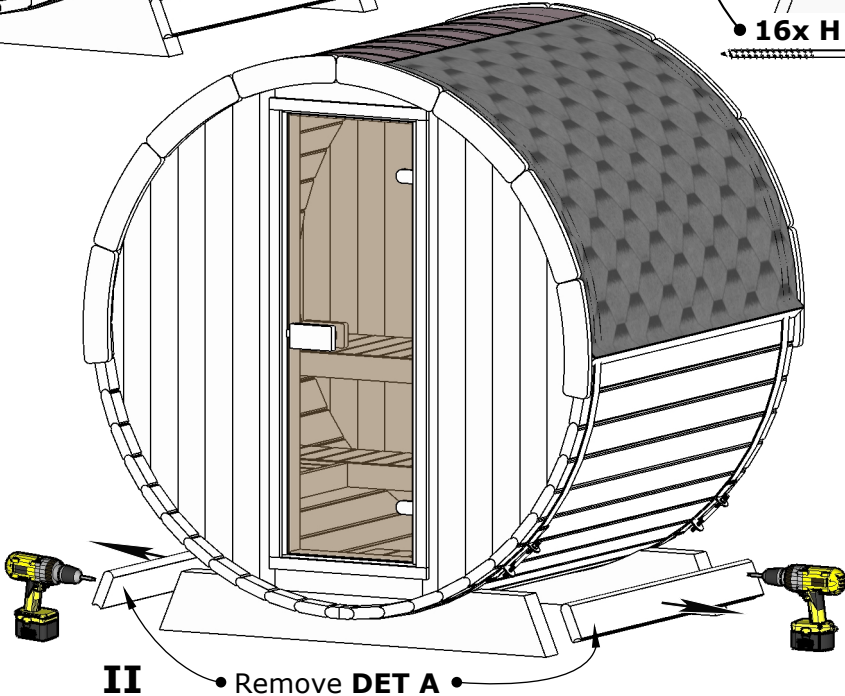


I

8x DET 25



16x H



II • Remove DET A •