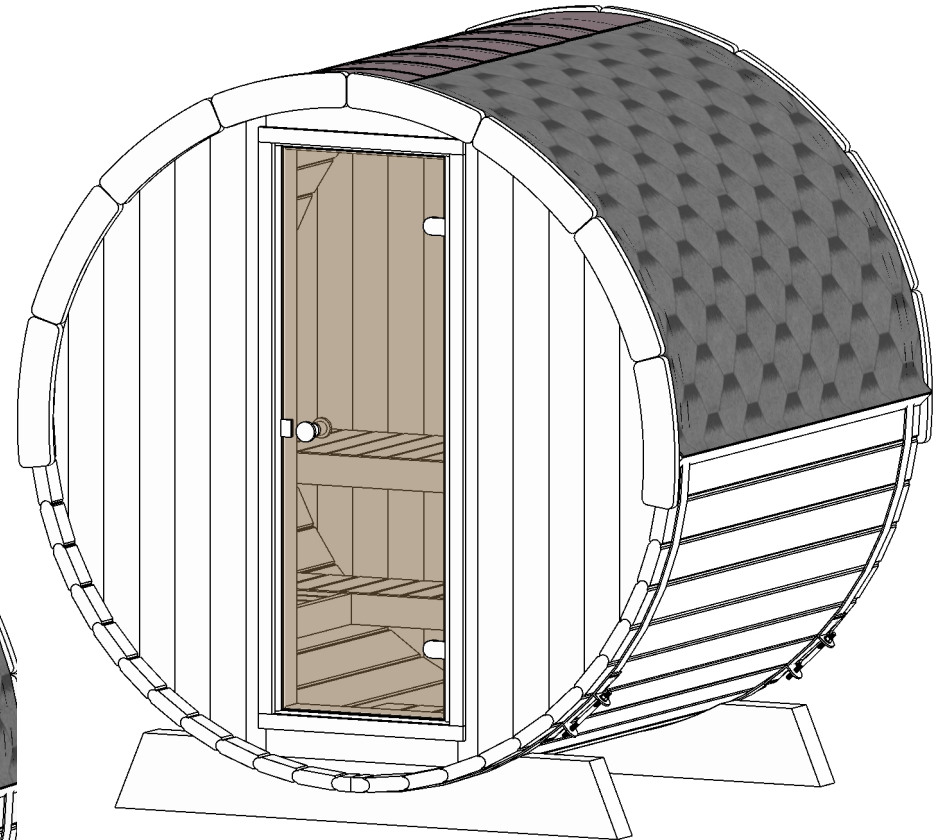
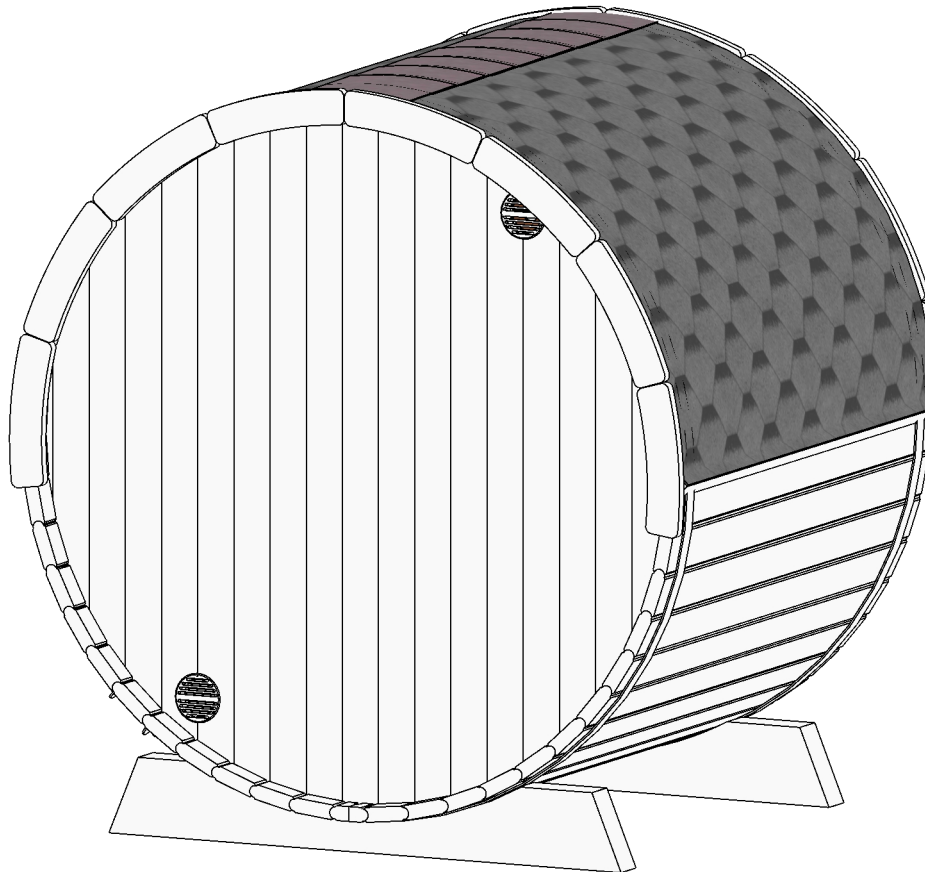


Sauna 160, Ø200

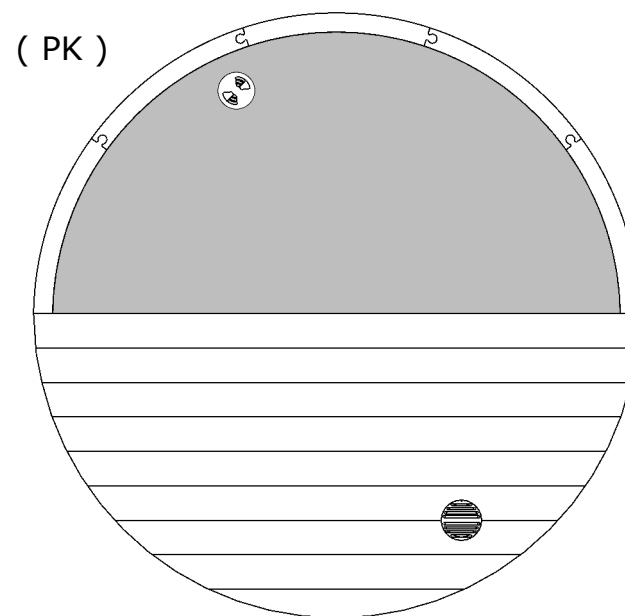
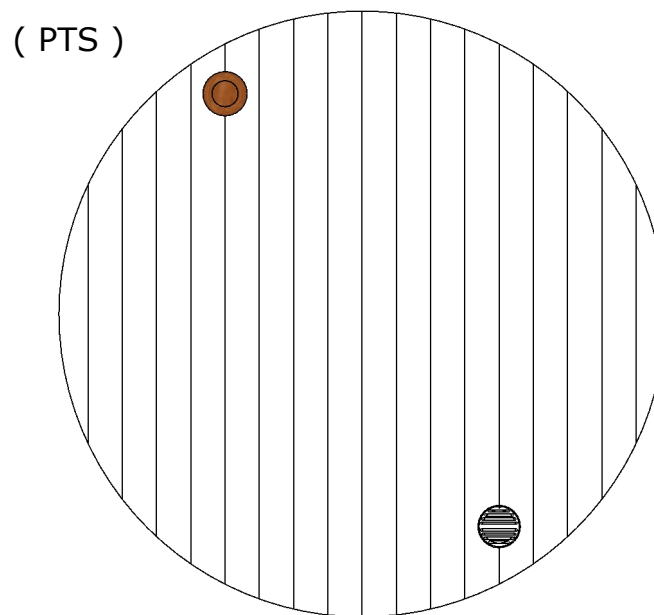
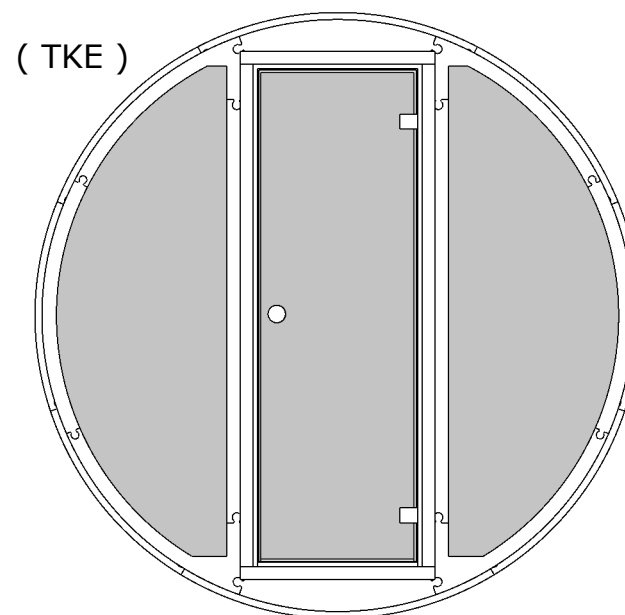
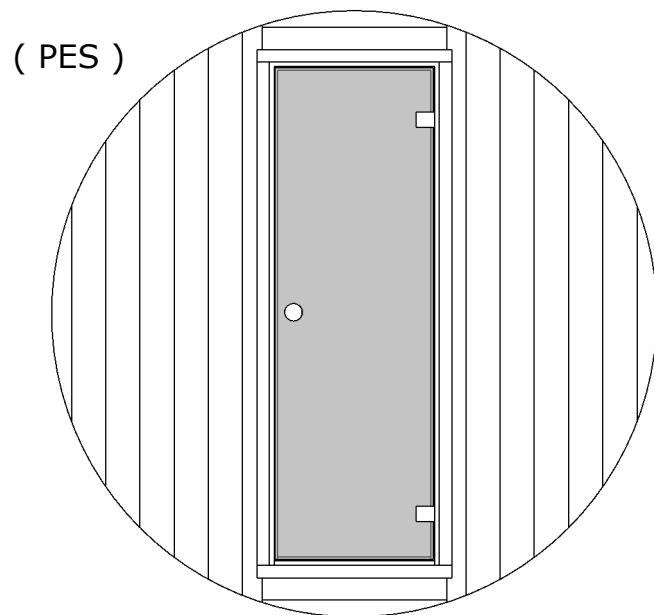
**NB! Please read whole manual
before start.**

**All given measurements
are in millimeters!**



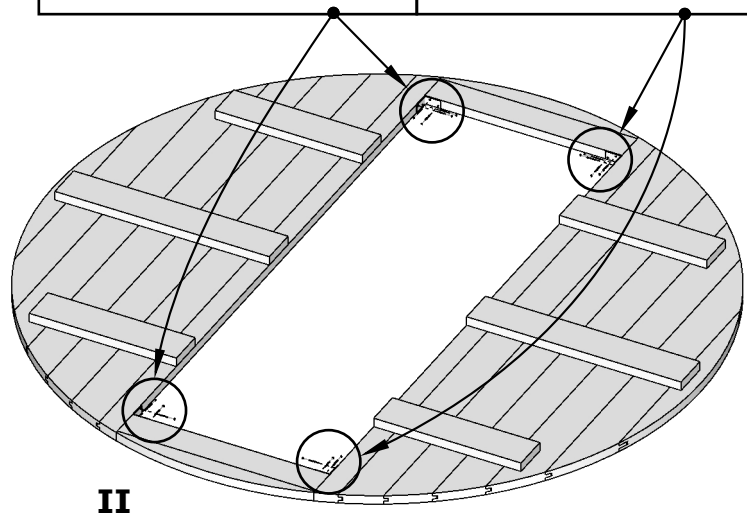
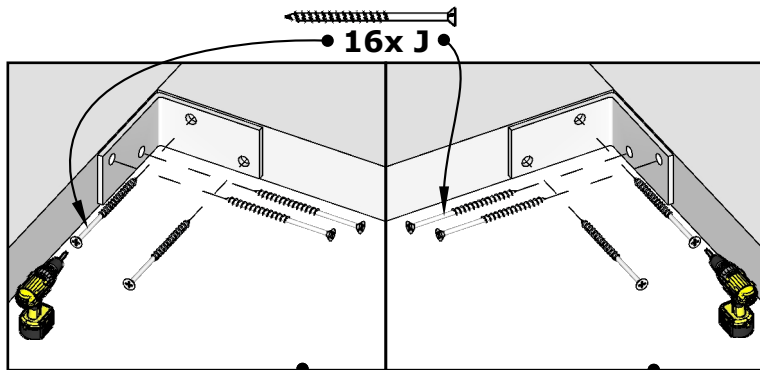
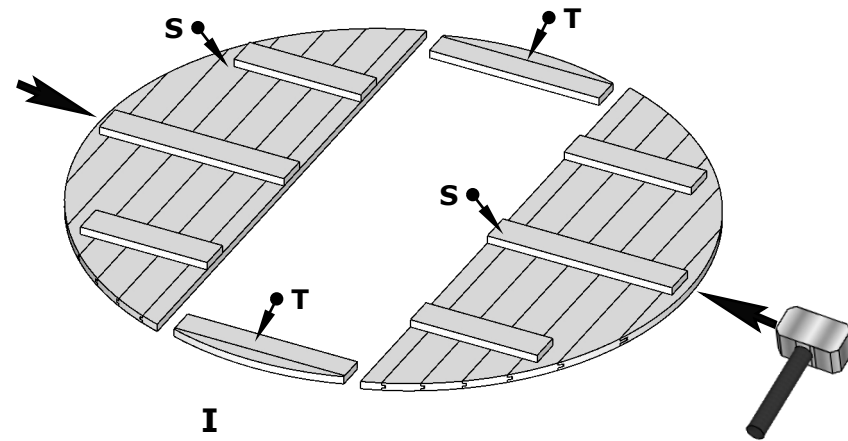
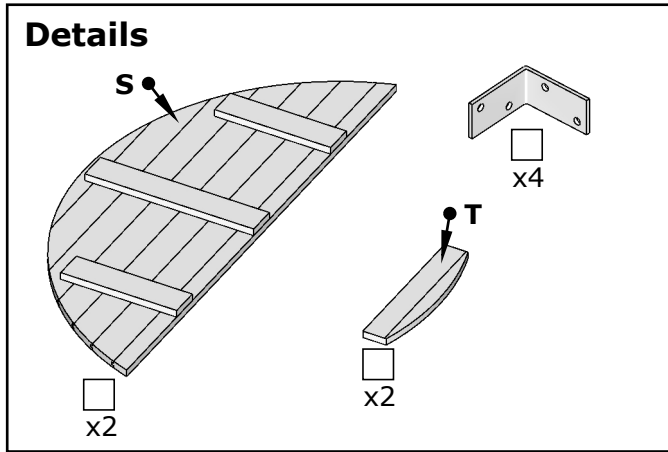
Sauna 160, Ø200

Walls configuration.

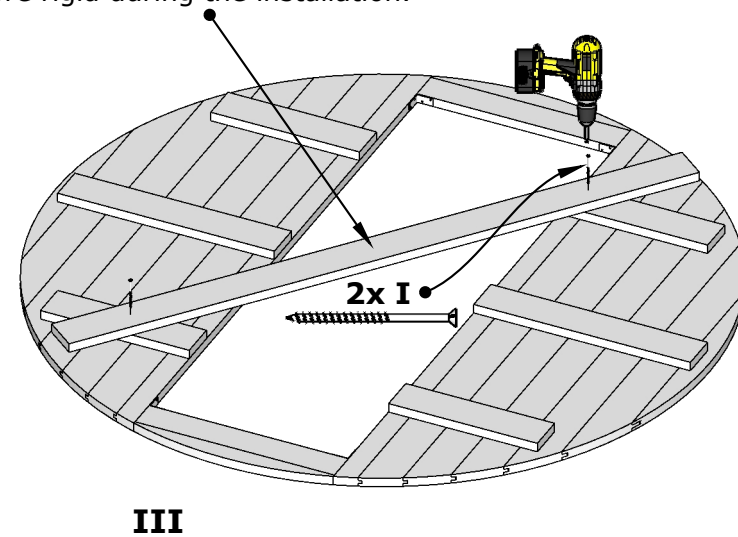


Wooden front wall assembly

Details

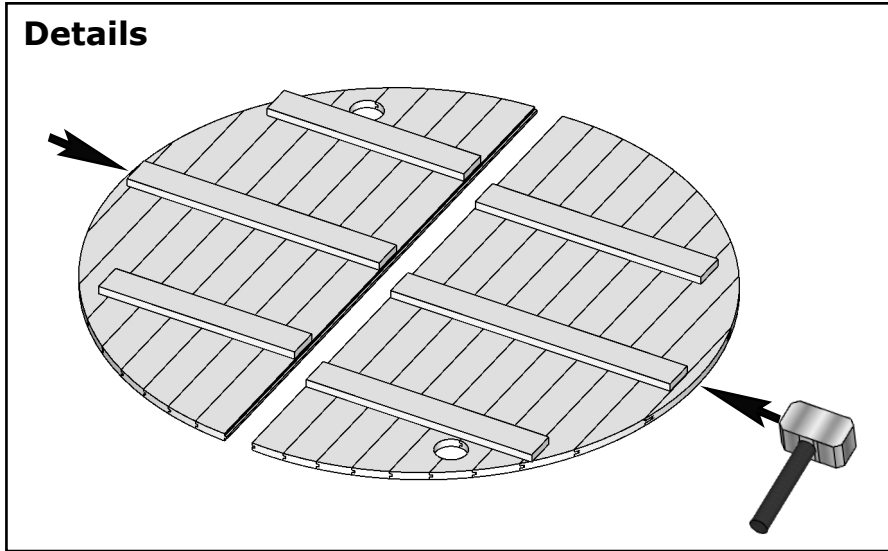


Cut board from pallet L= \sim 1900mm.
Fix it diagonally to make wall
more rigid during the installation.

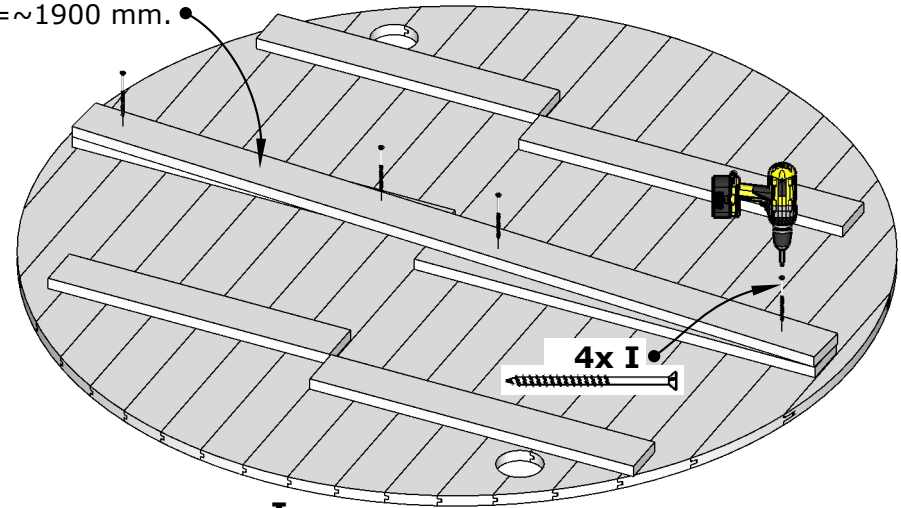


Wooden back wall assembly

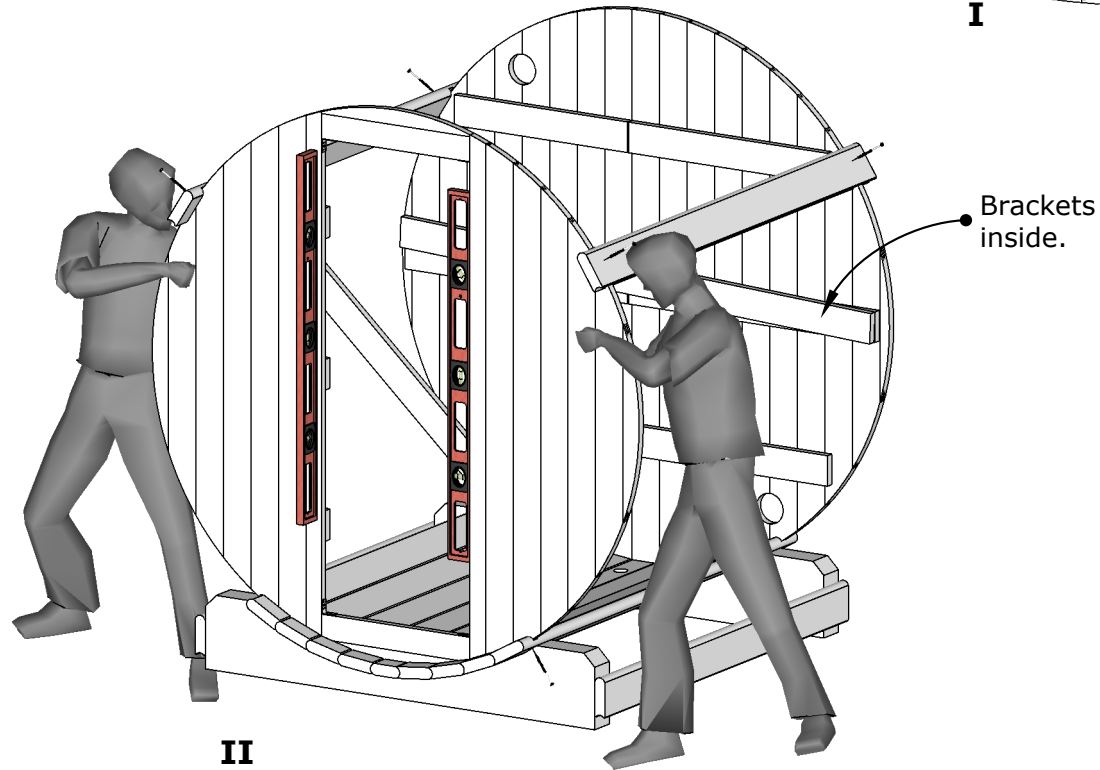
Details



Cut board from pallet
L ≈ 1900 mm.



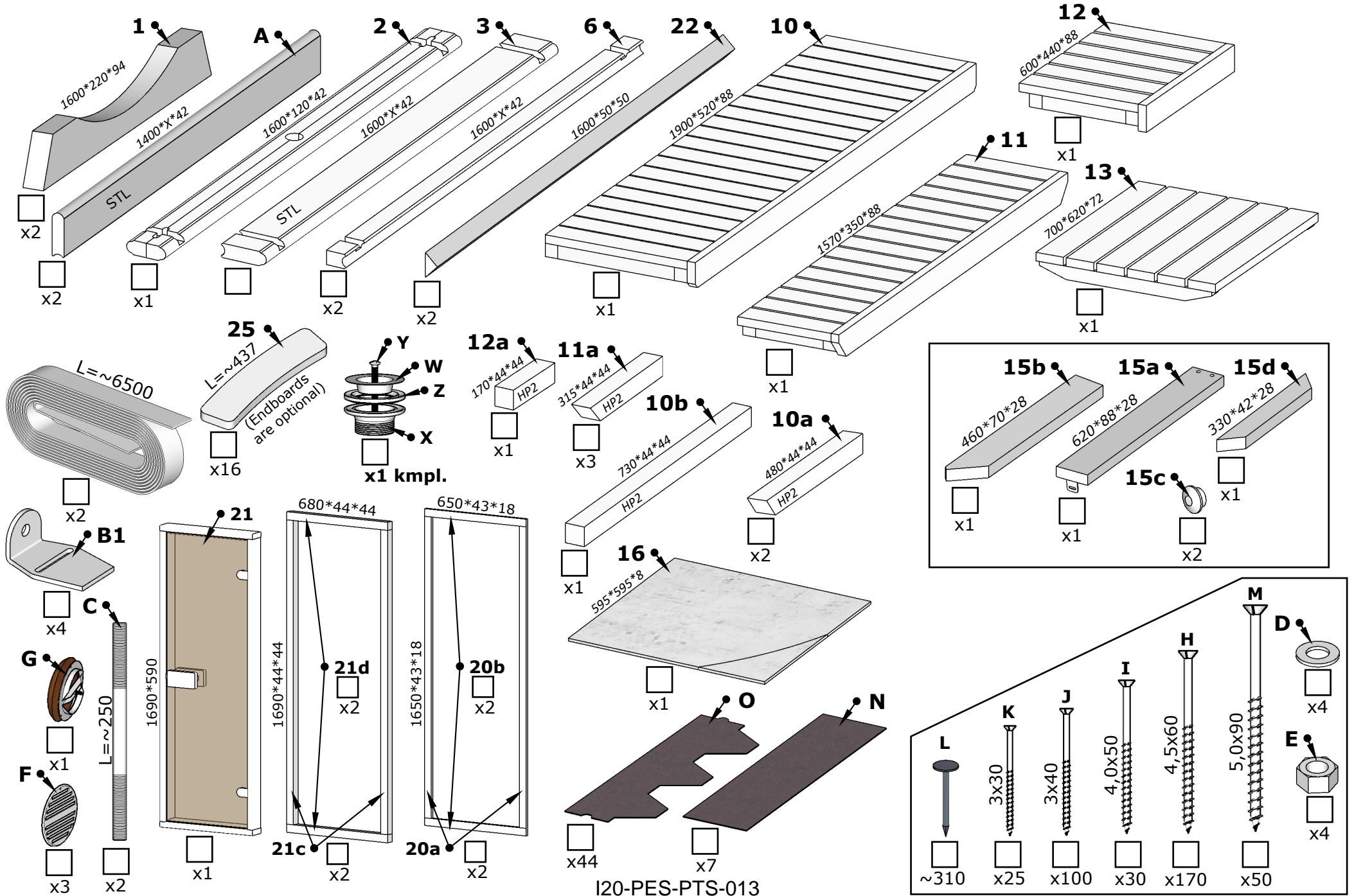
I



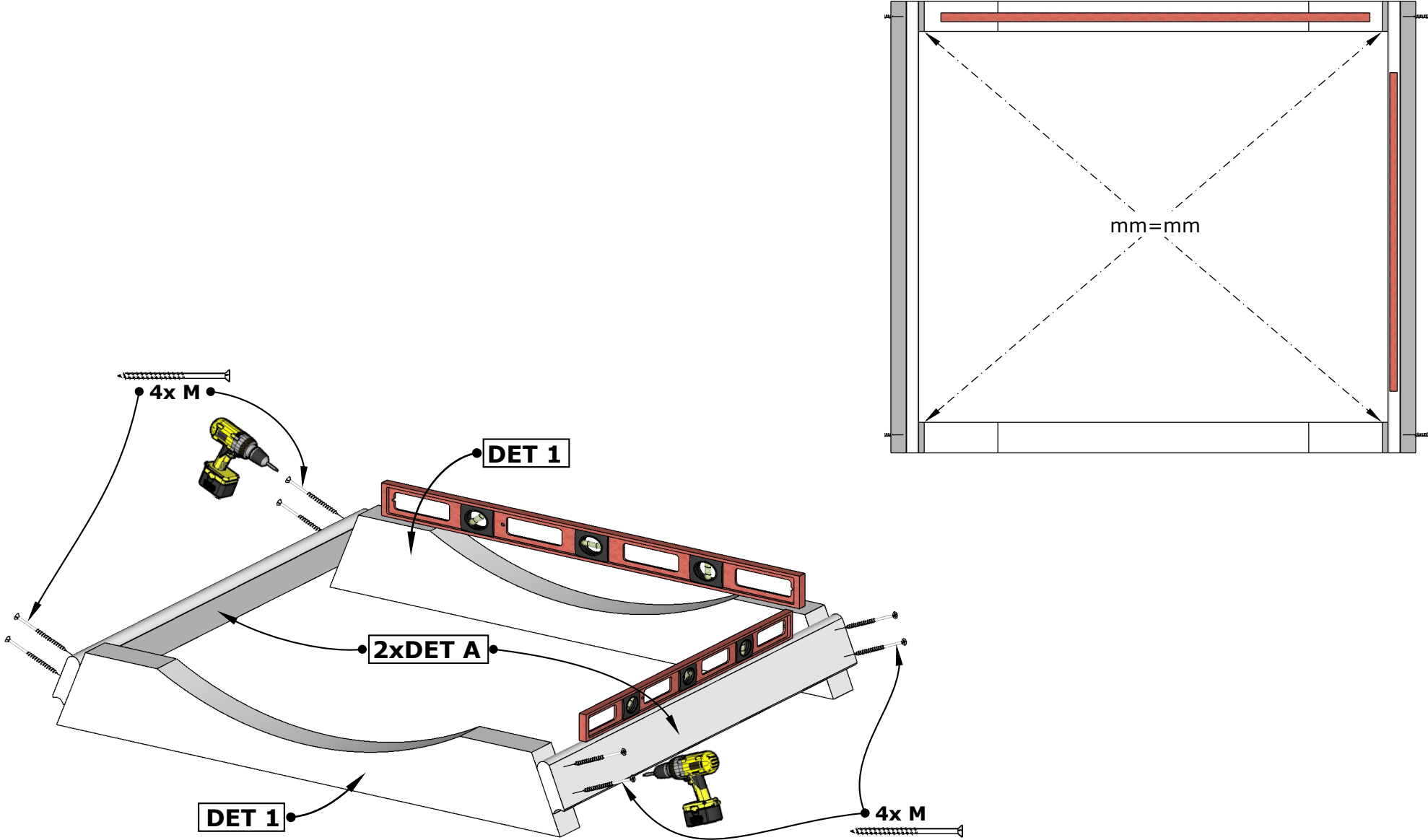
II

Sauna 160, Ø200

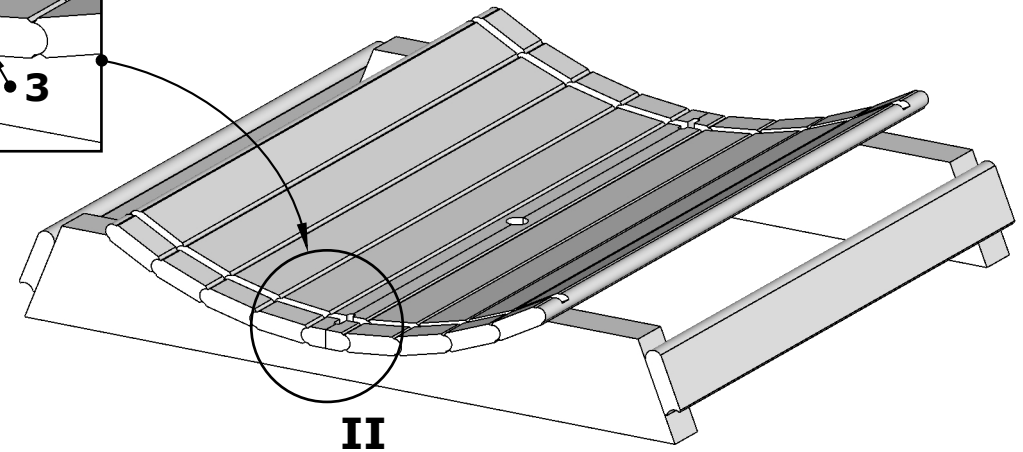
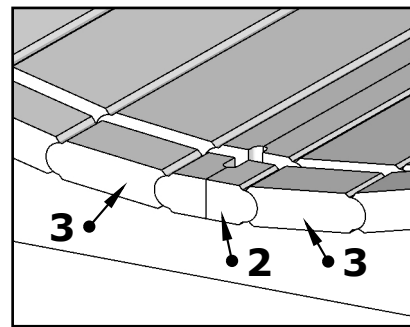
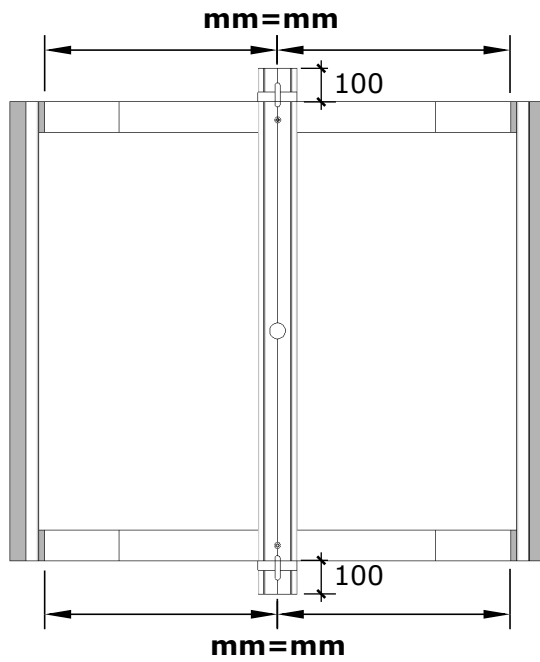
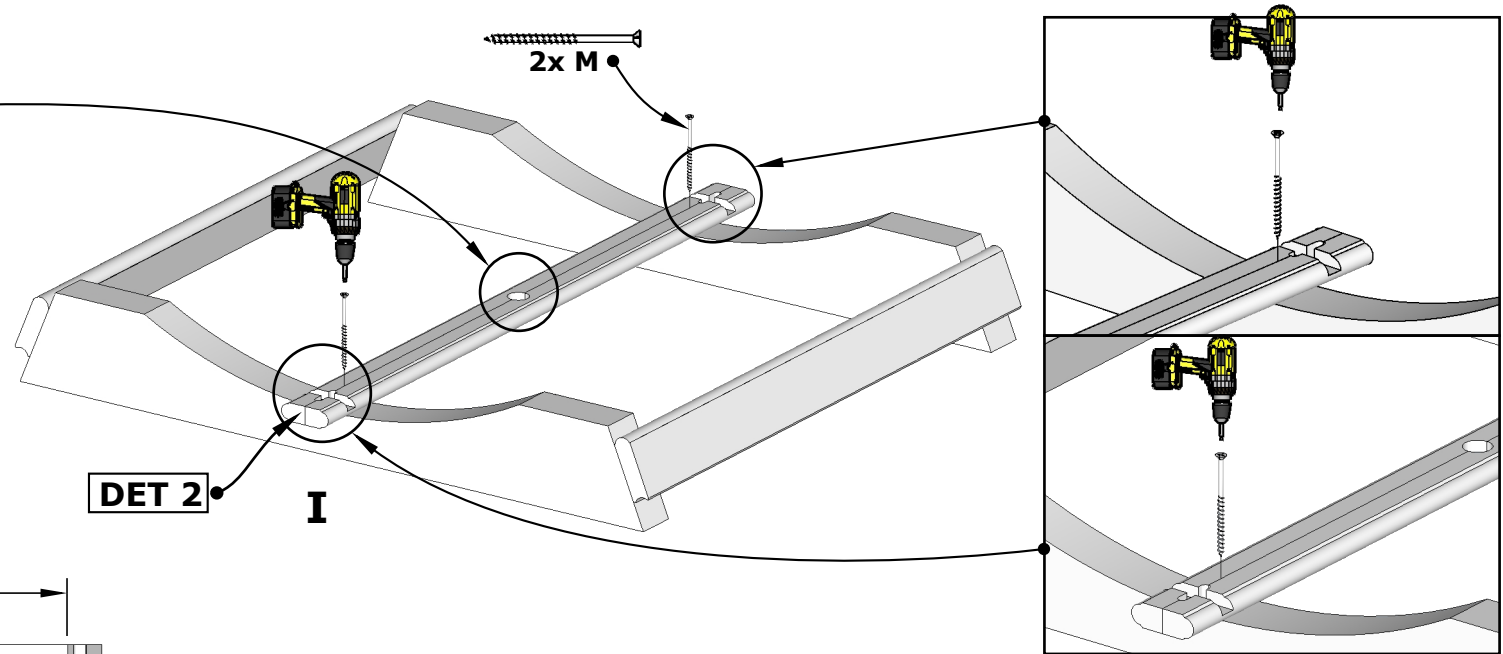
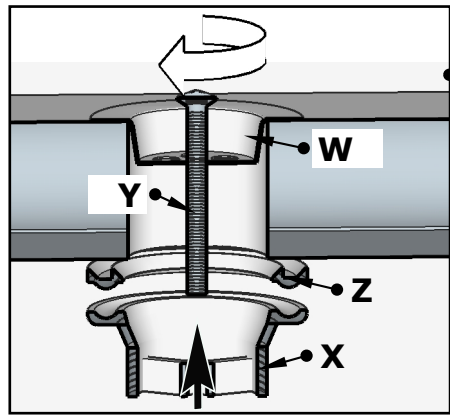
Details list.



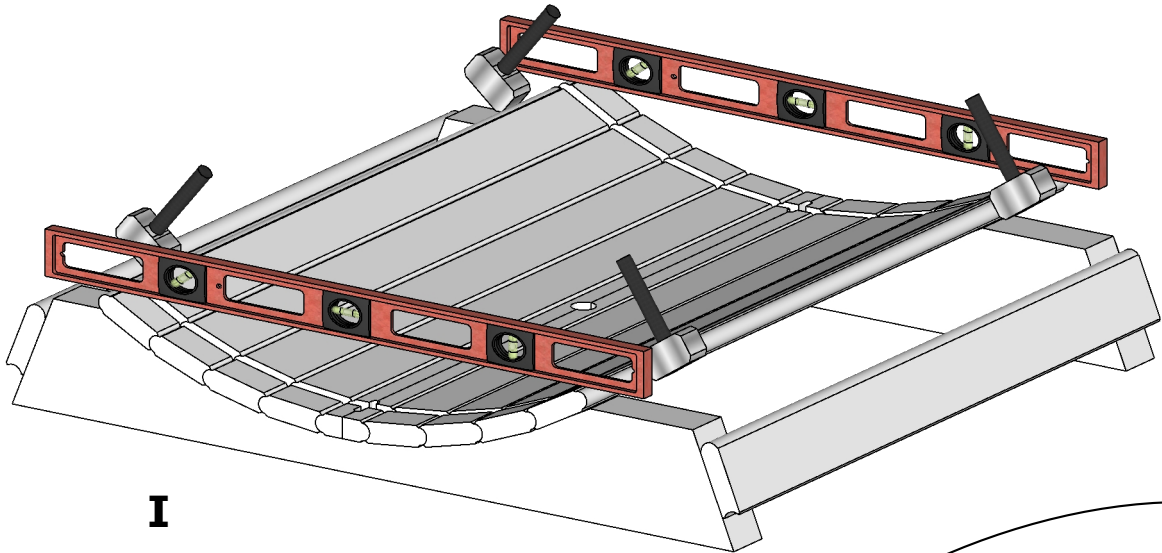
Sauna 160, Ø200



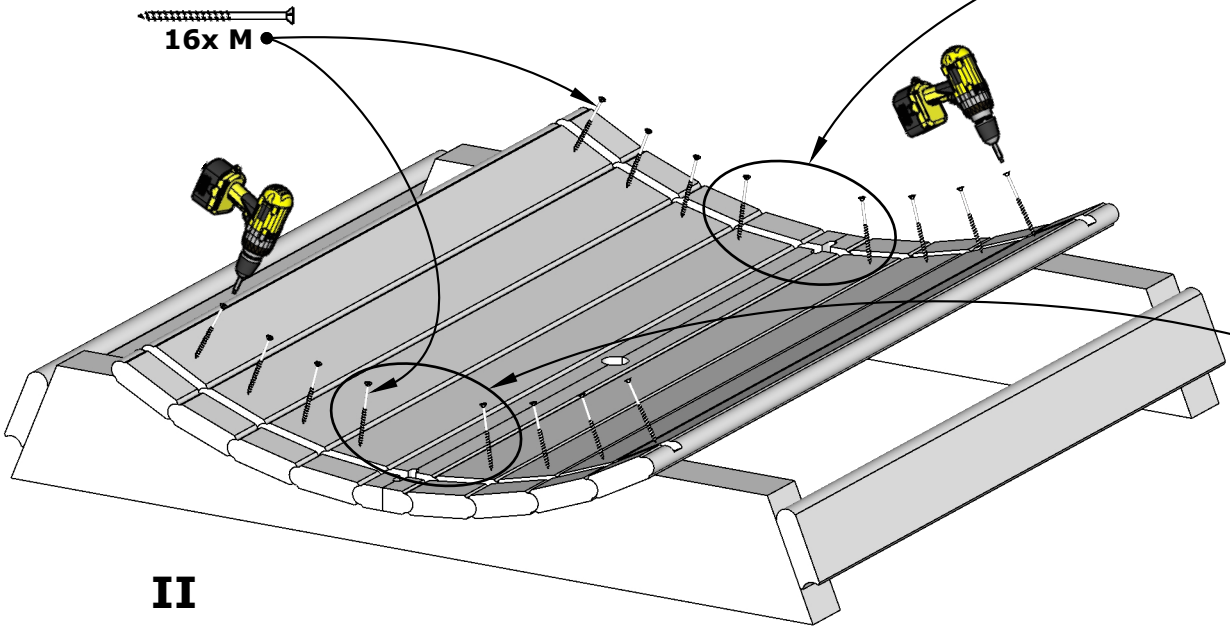
Sauna 160, Ø200



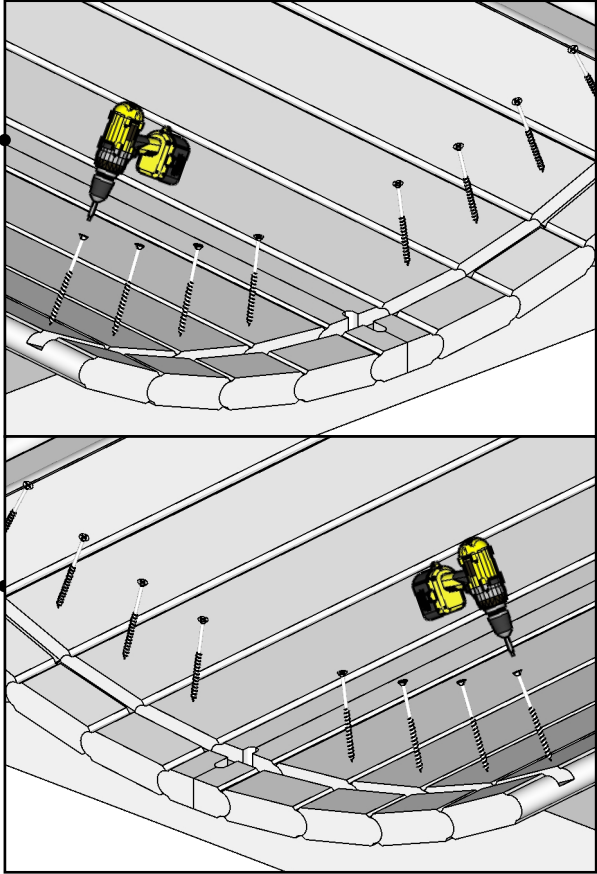
Sauna 160, Ø200



I



II



Sauna 160, Ø200

Use waterlevel

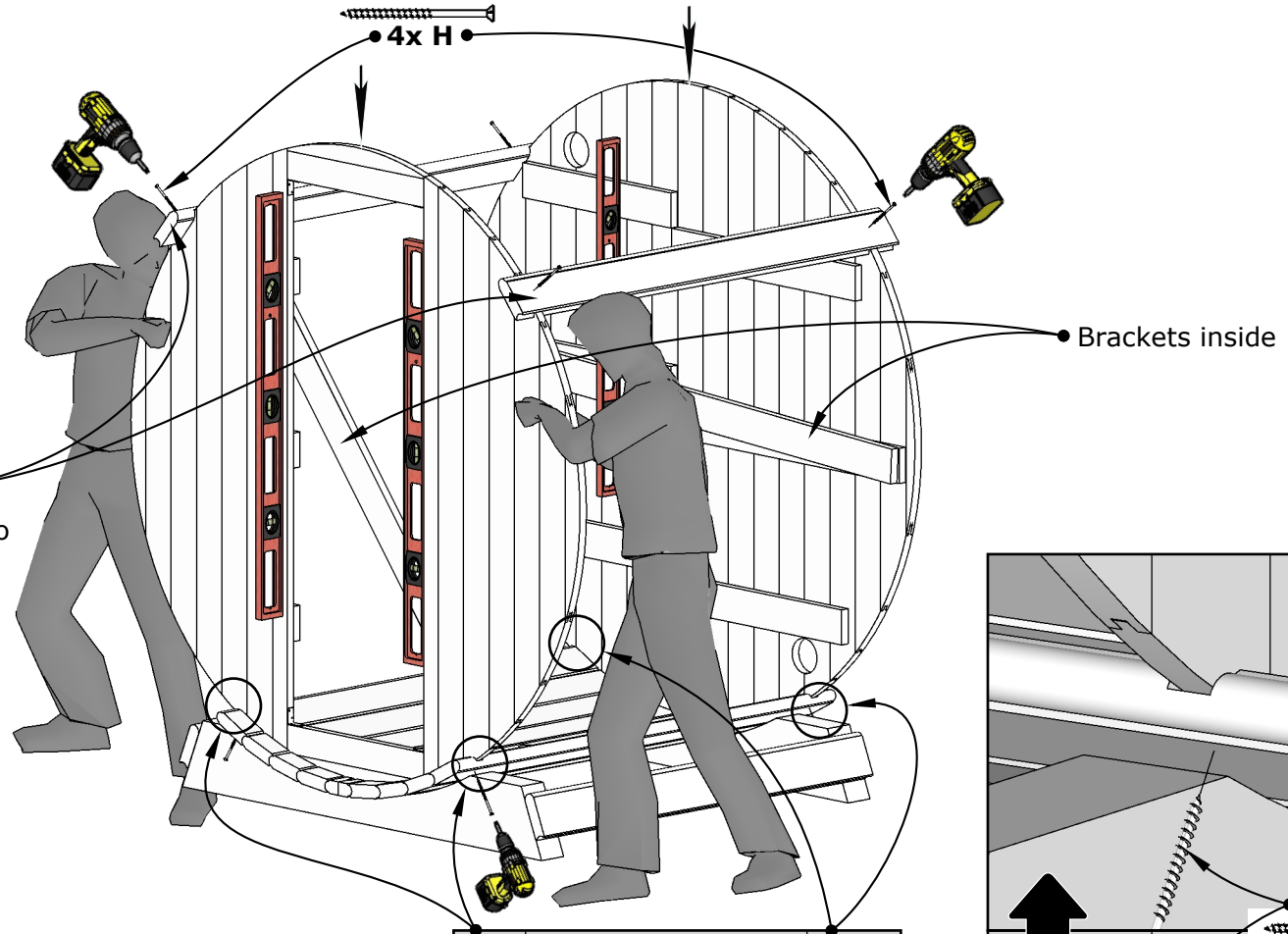


Check walls installation manual on extra pages!

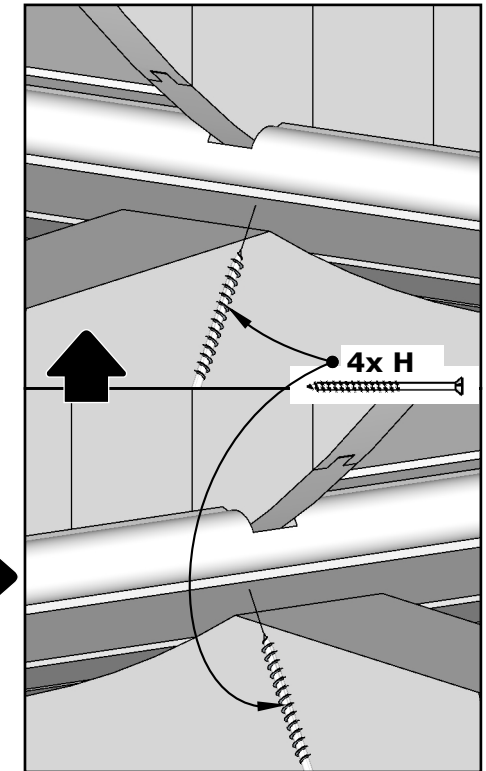
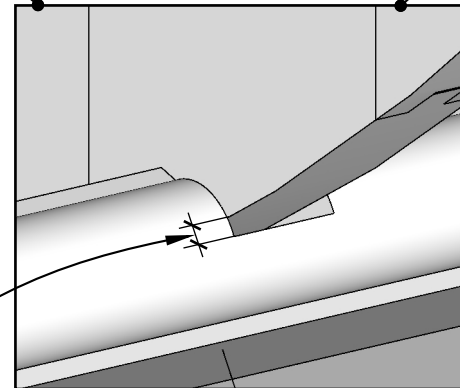
Sauna wall configuration depends on Your model!

DET 3

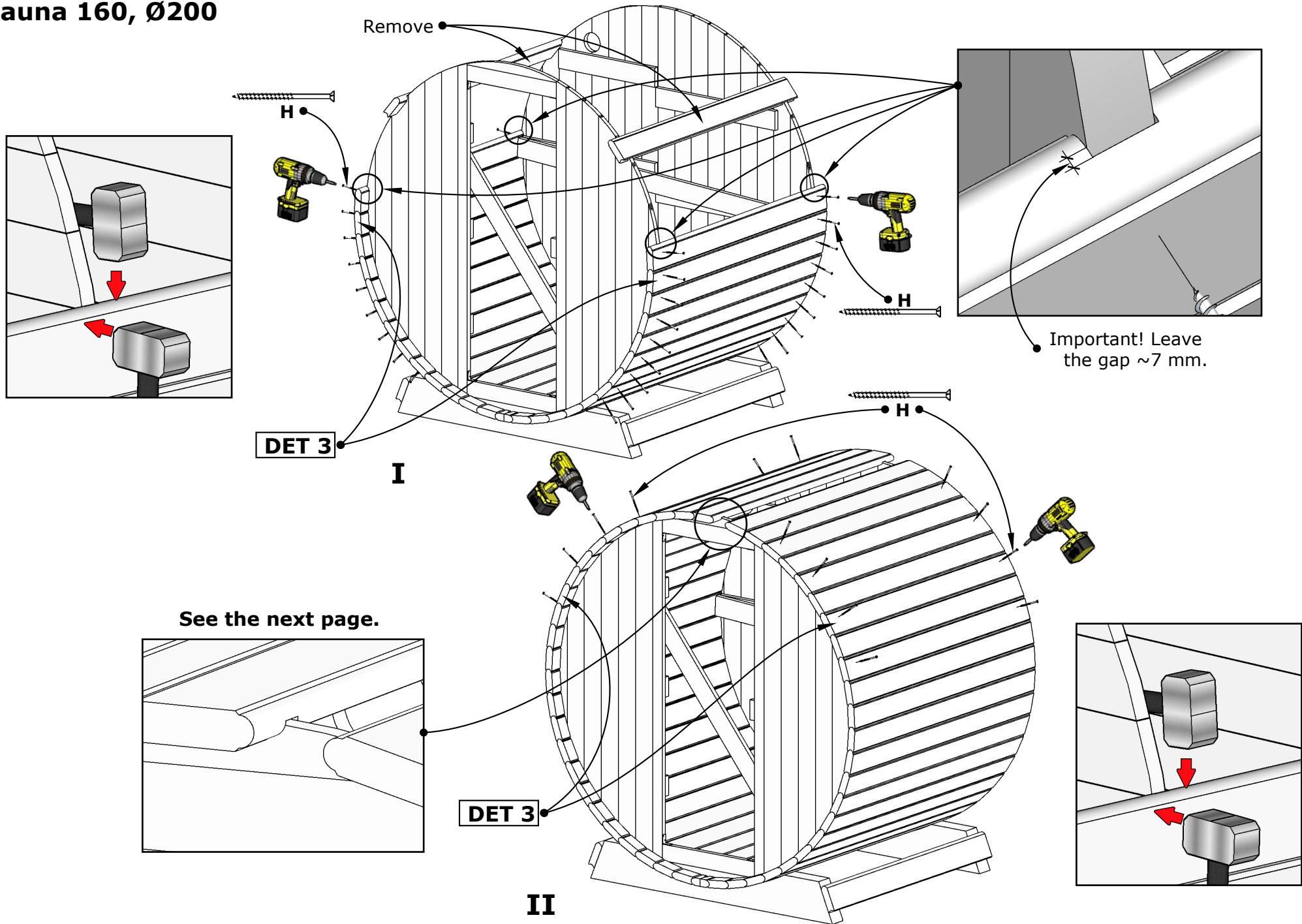
Fix temporarily to support walls.



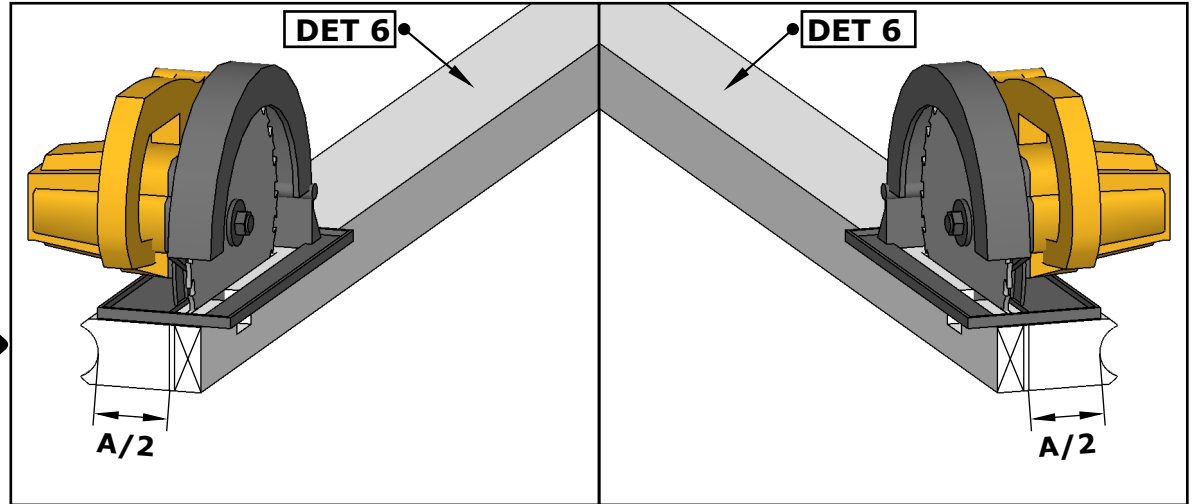
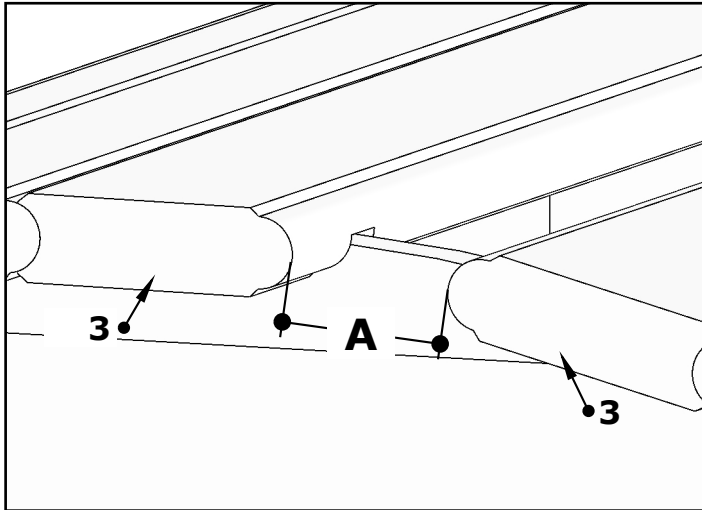
Important! Leave the gap ~7 mm.



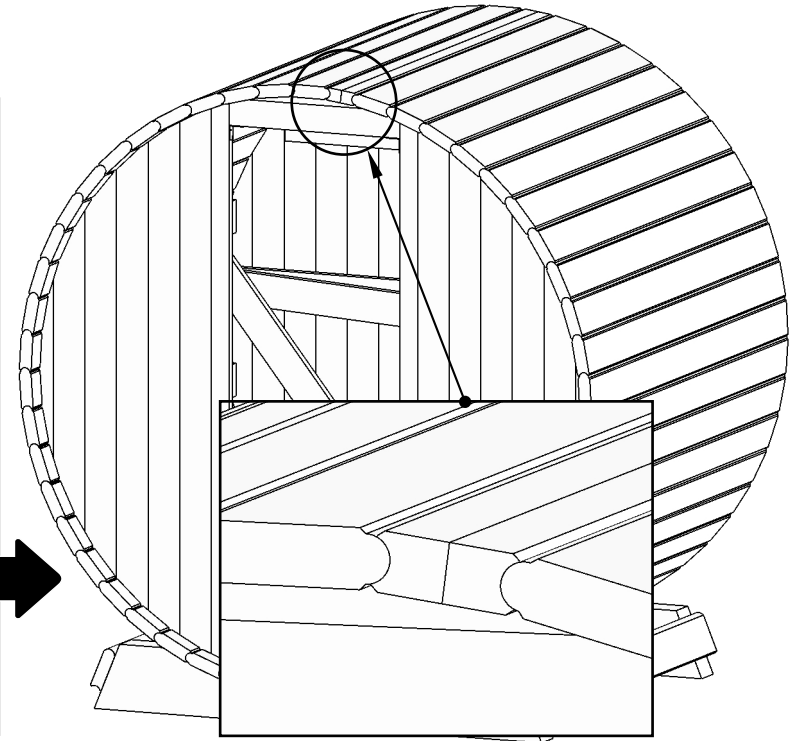
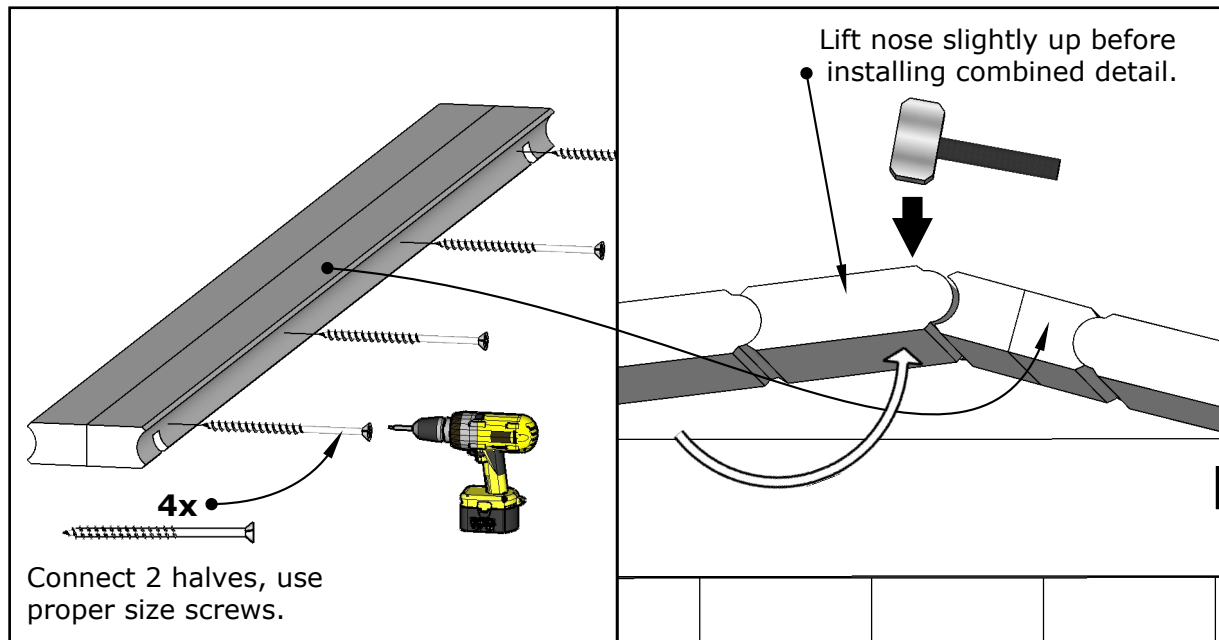
Sauna 160, Ø200



Sauna 160, Ø200



I

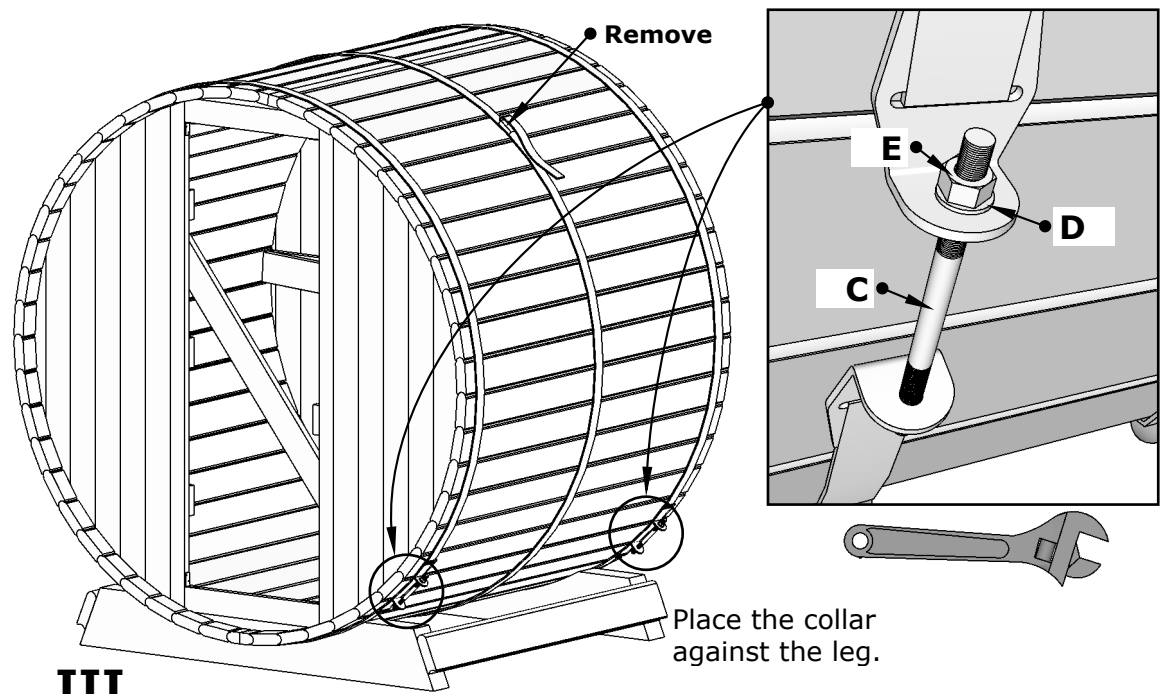
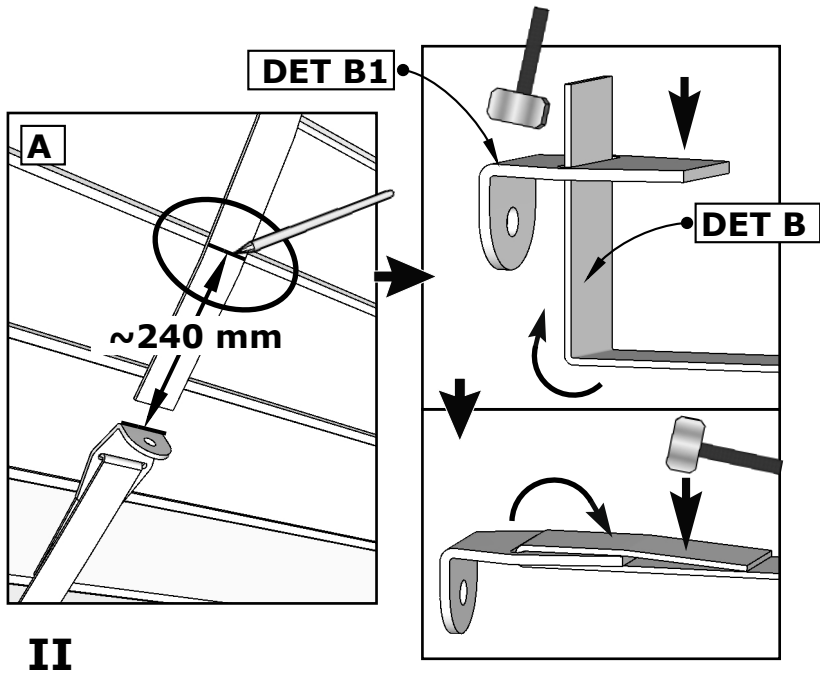
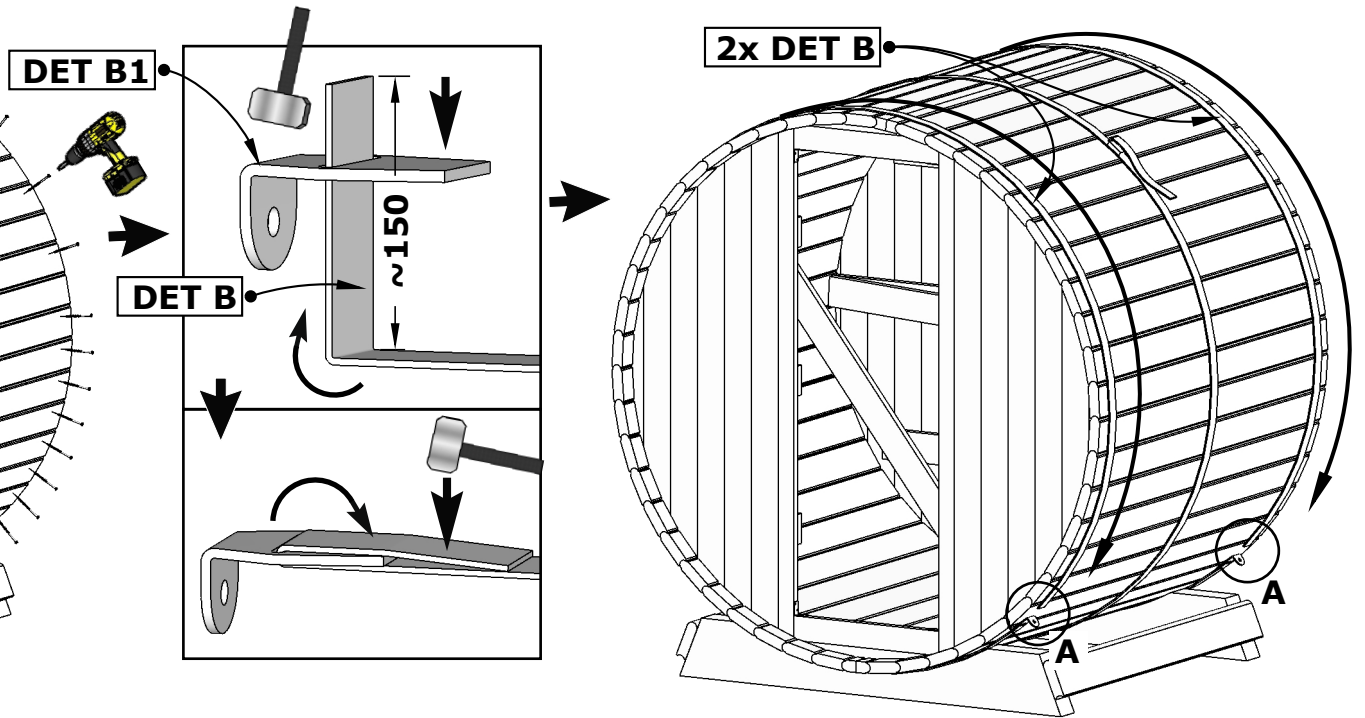
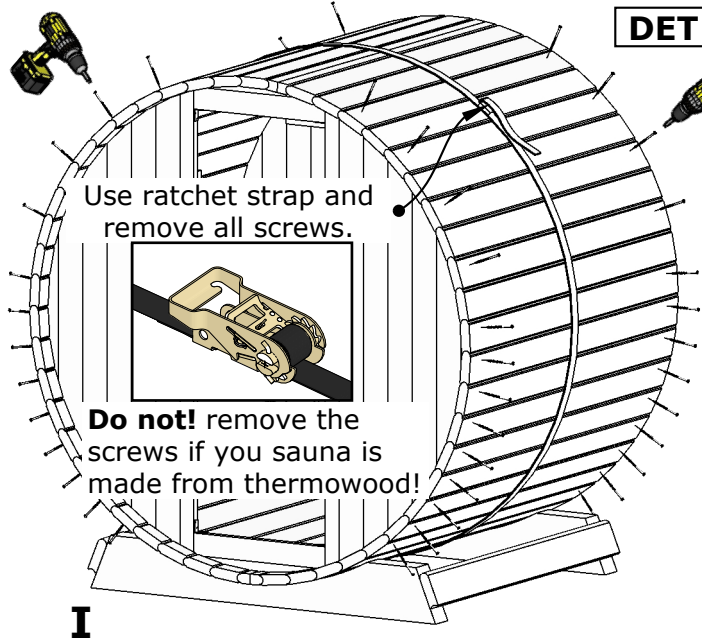


II

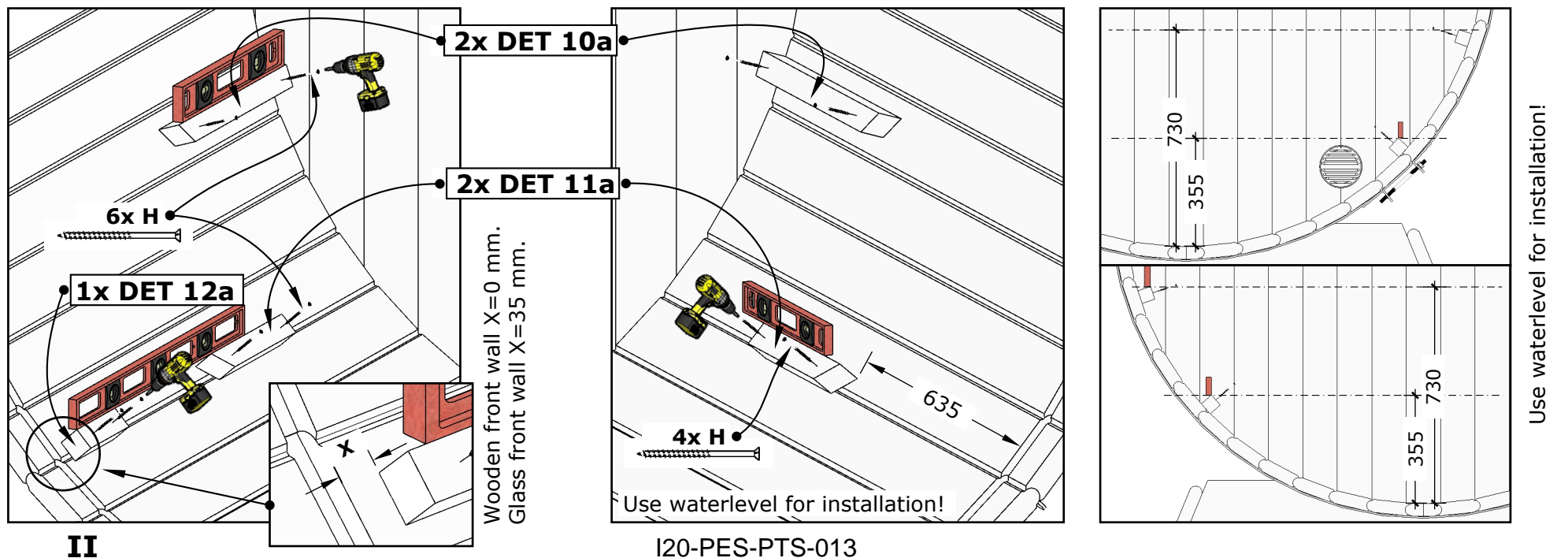
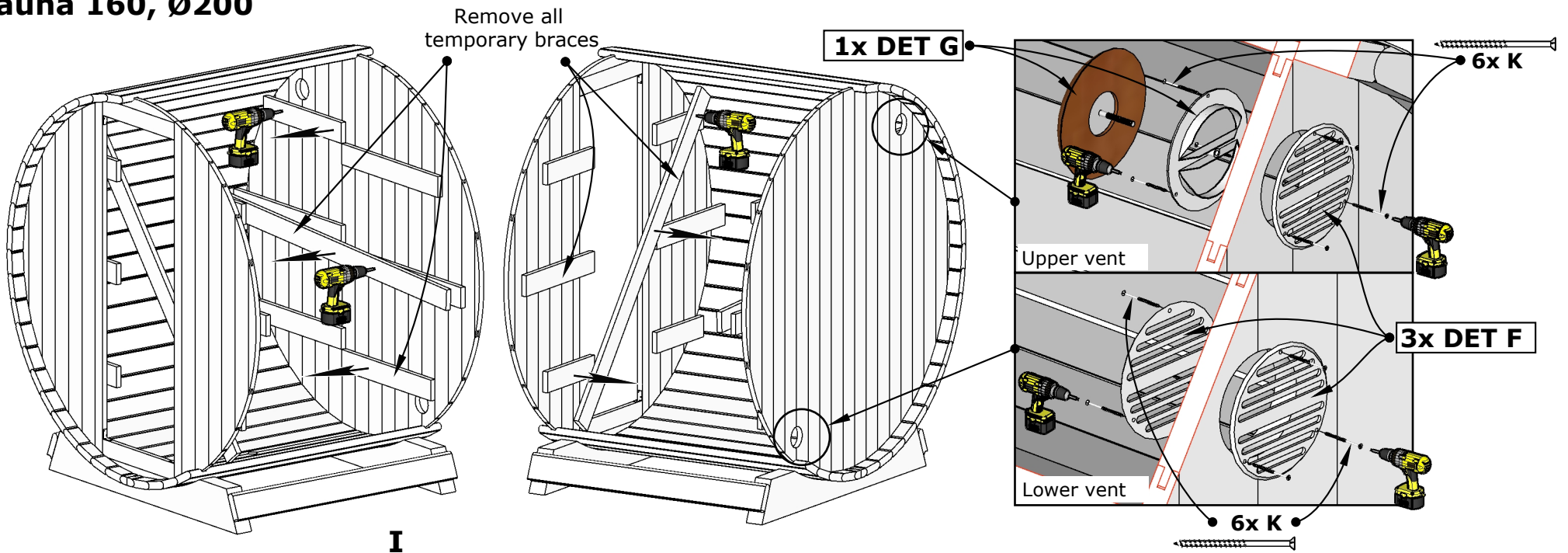
6.

I20-PES-PTS-013

Sauna 160, Ø200



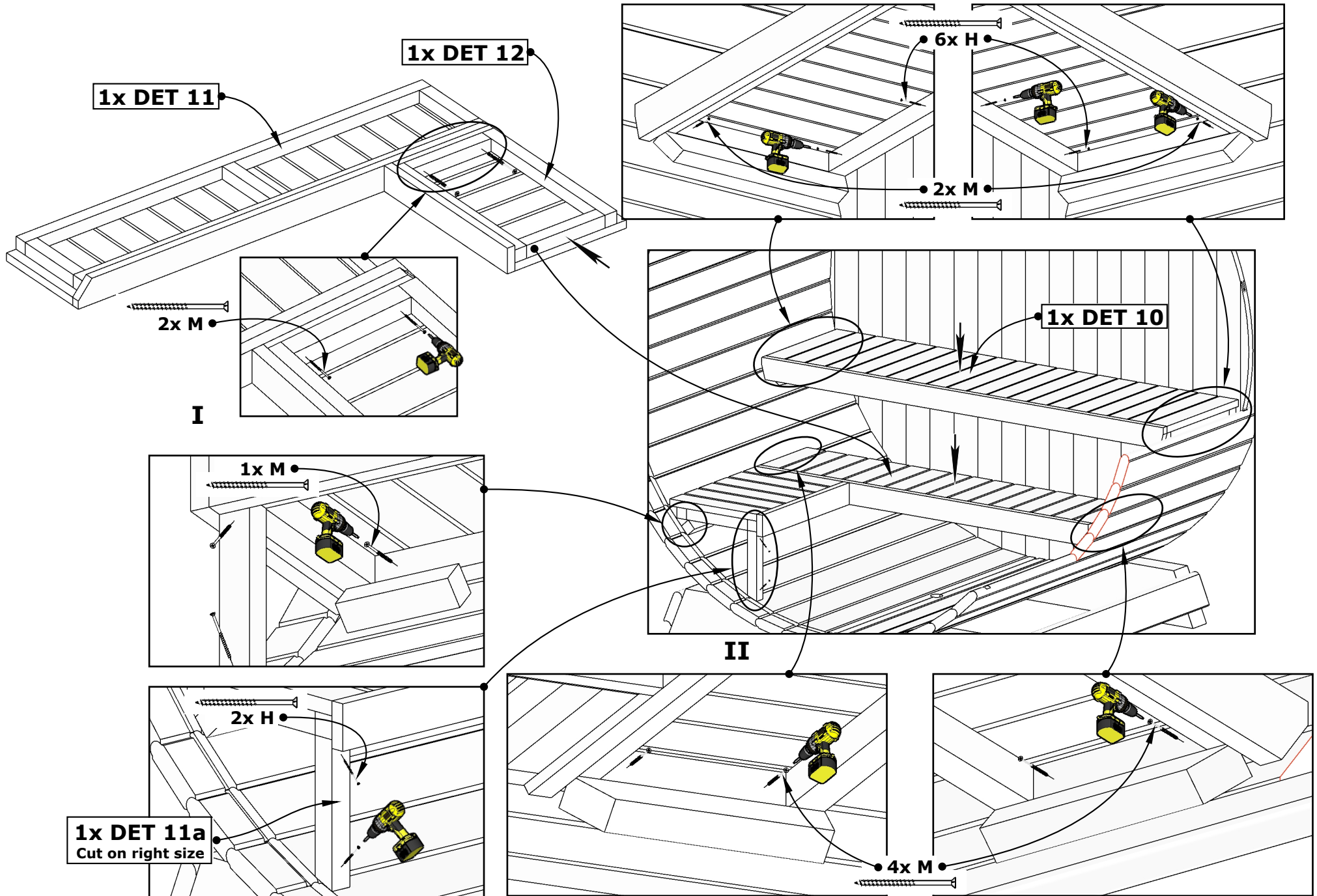
Sauna 160, Ø200



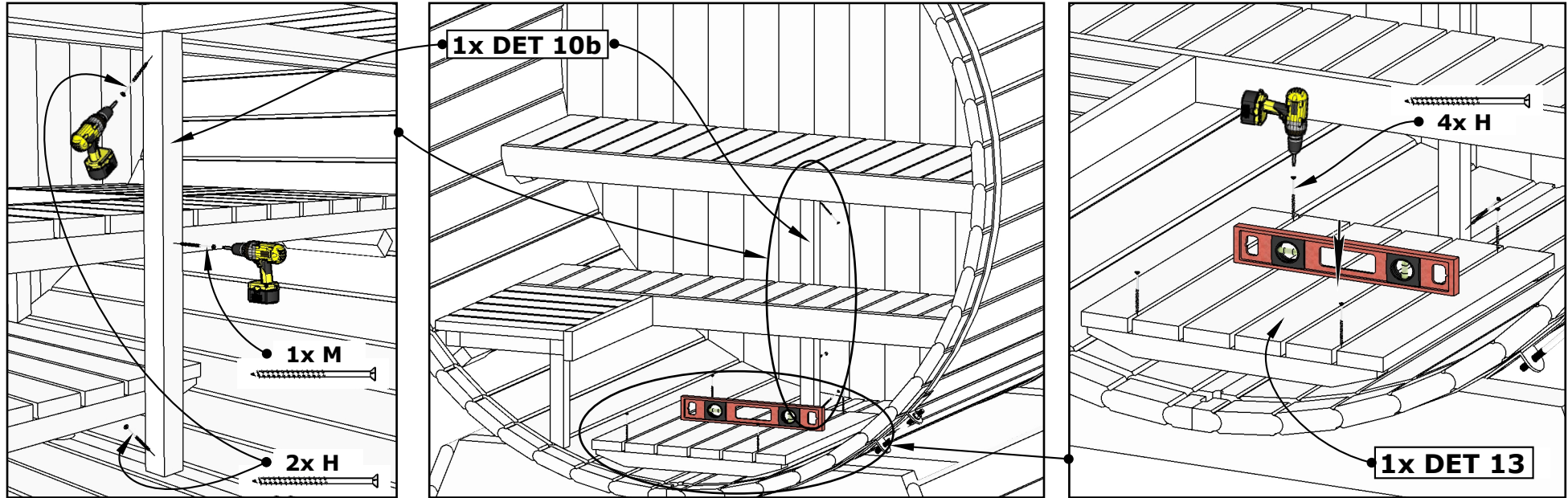
8.

I20-PES-PTS-013

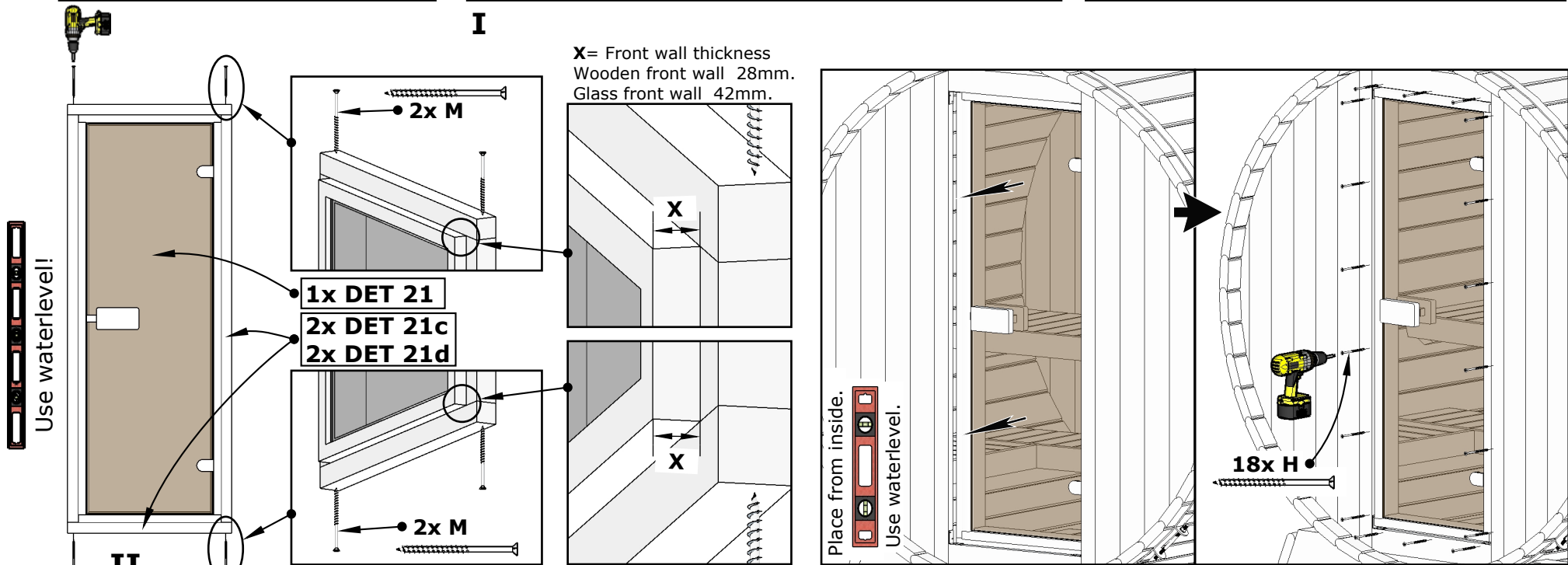
Sauna 160, Ø200



Sauna 160, Ø200



I

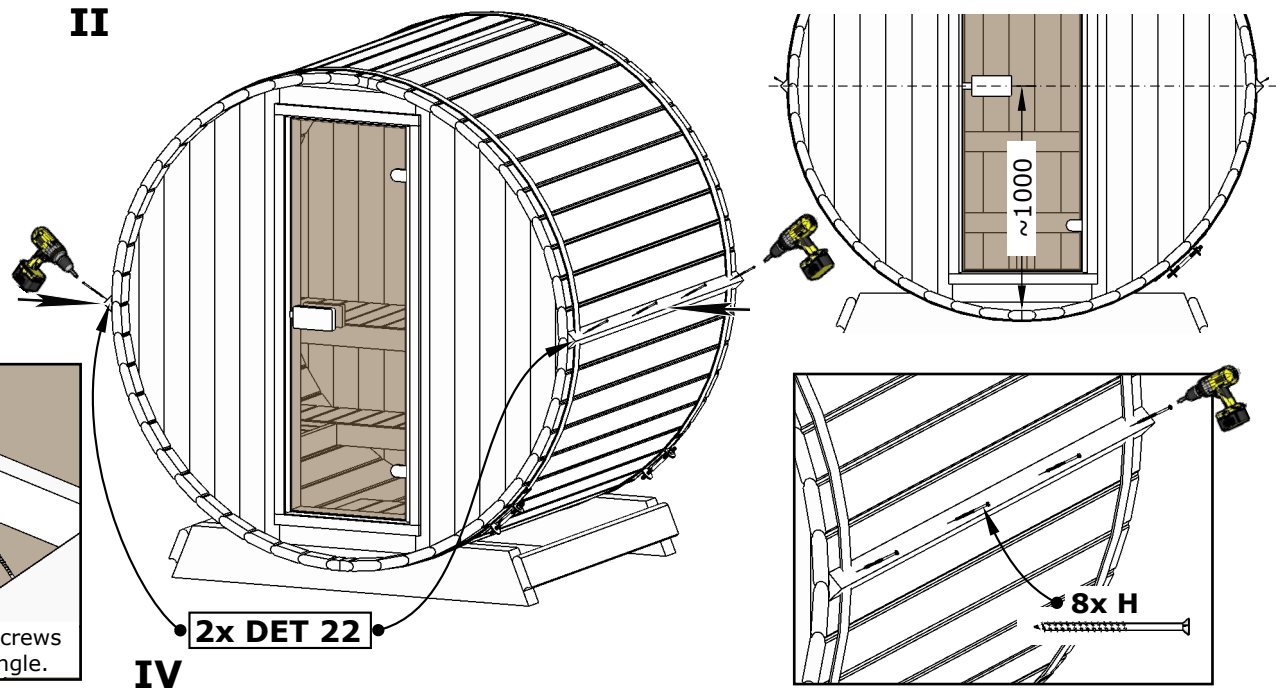
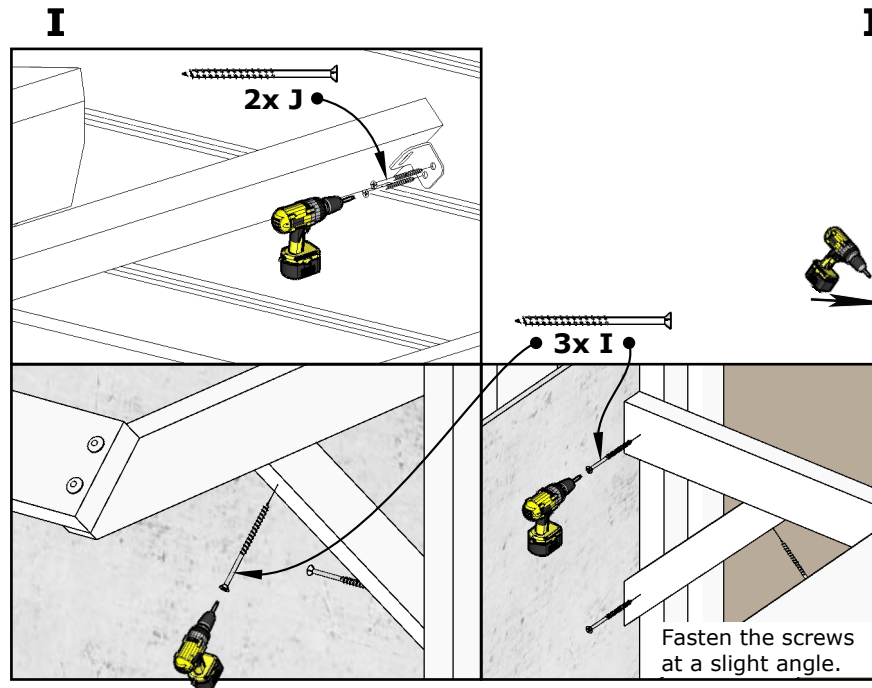
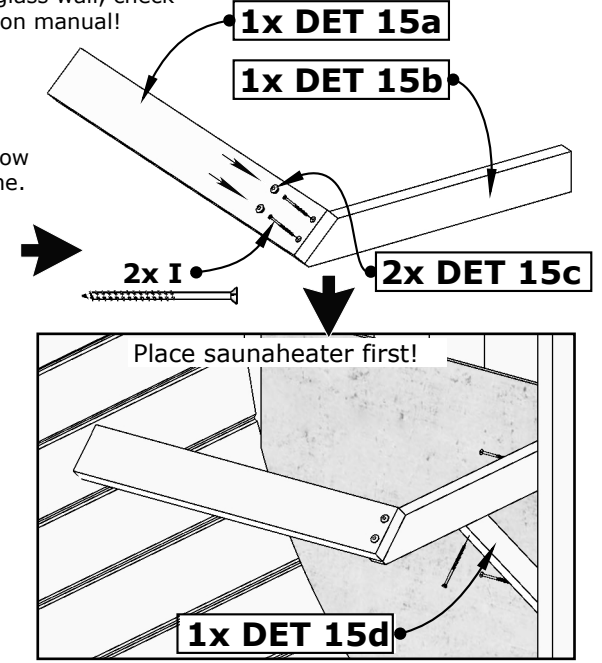
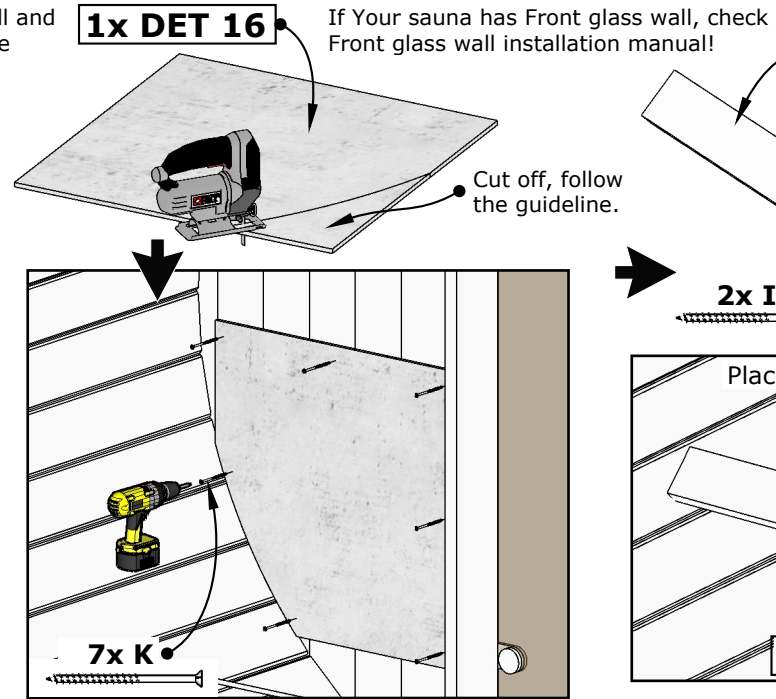
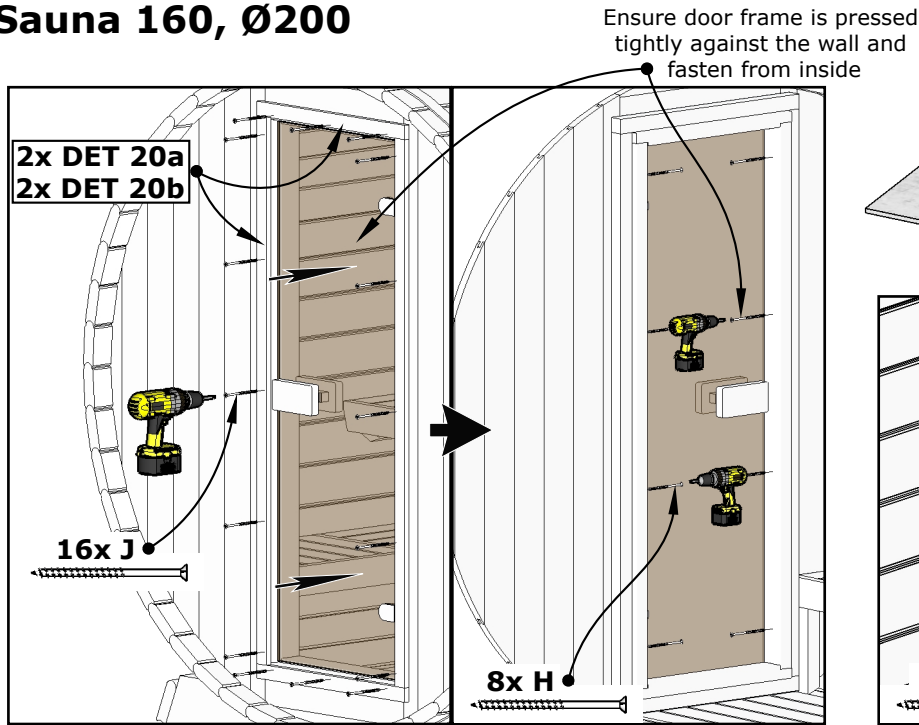


10.

II

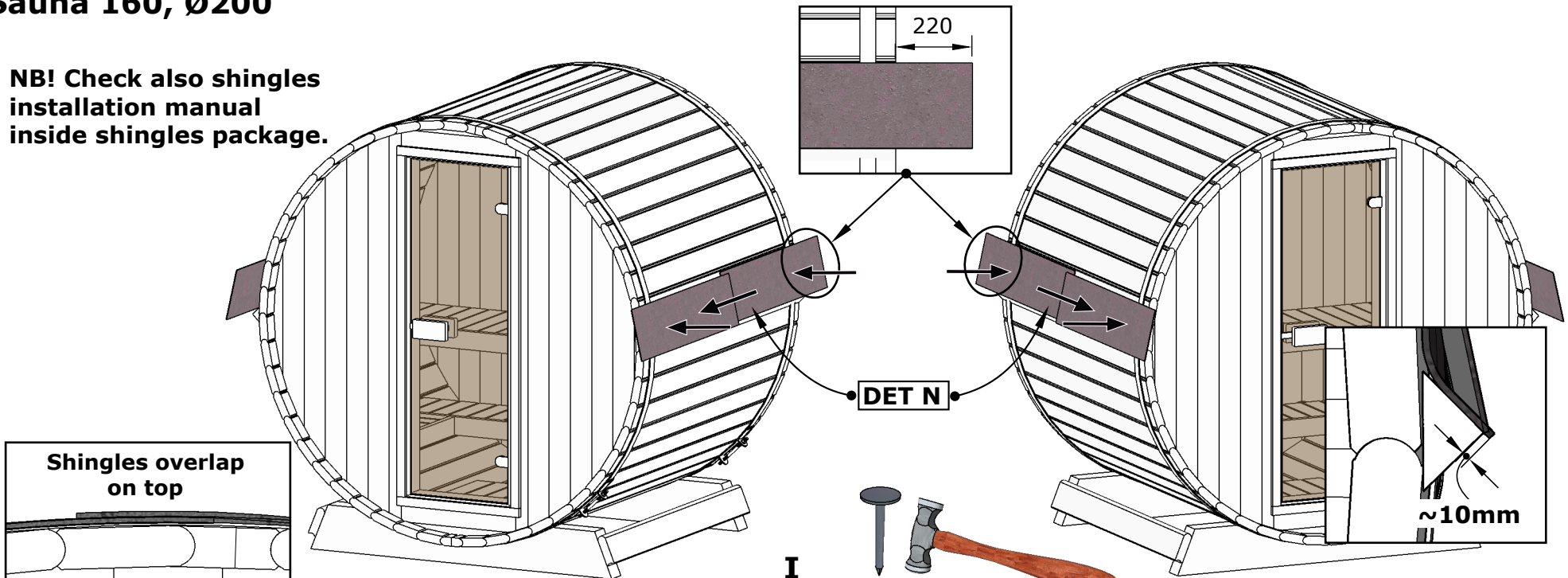
I20-PES-PTS-013

Sauna 160, Ø200

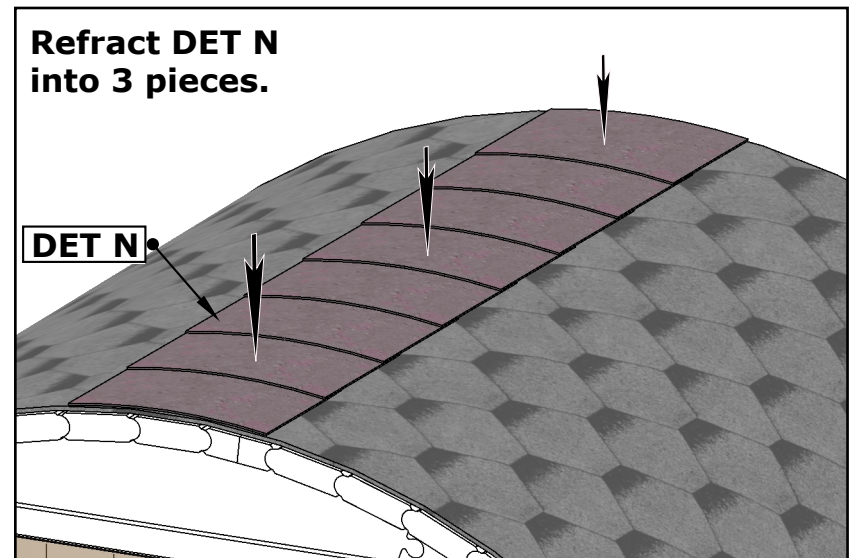
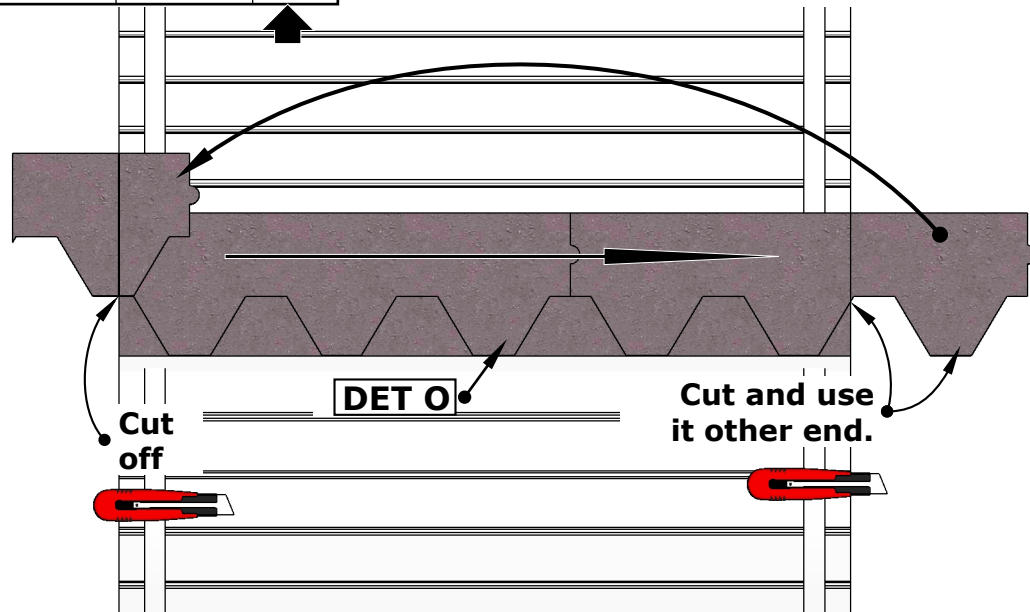
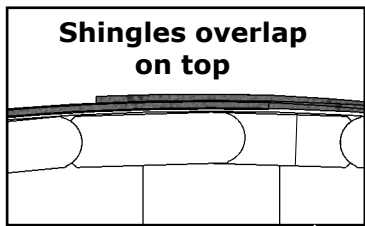


Sauna 160, Ø200

NB! Check also shingles installation manual inside shingles package.

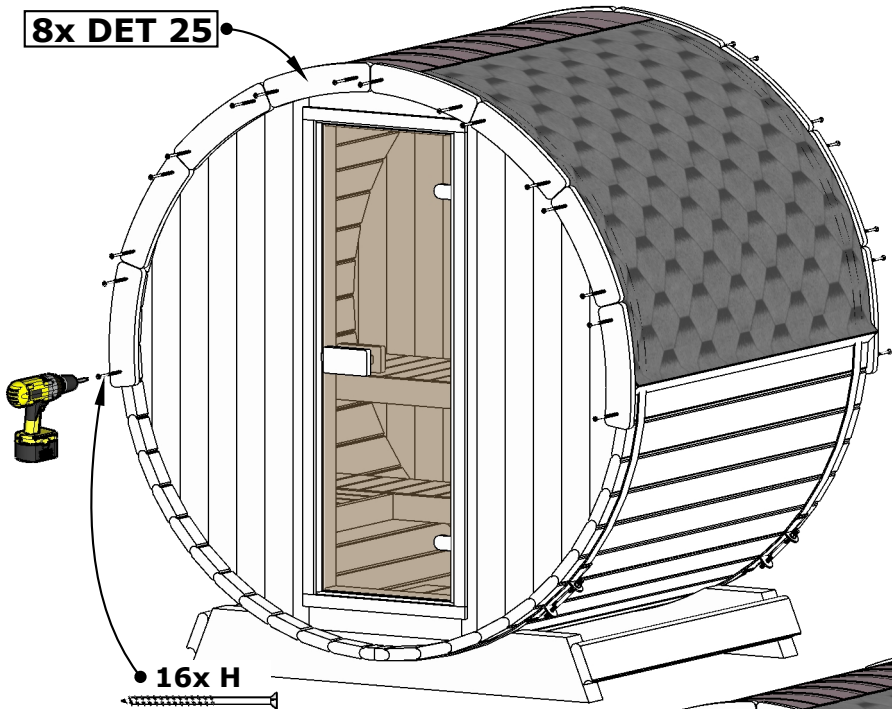


Check also roof shingles installation manual inside package.



Sauna 160, Ø200

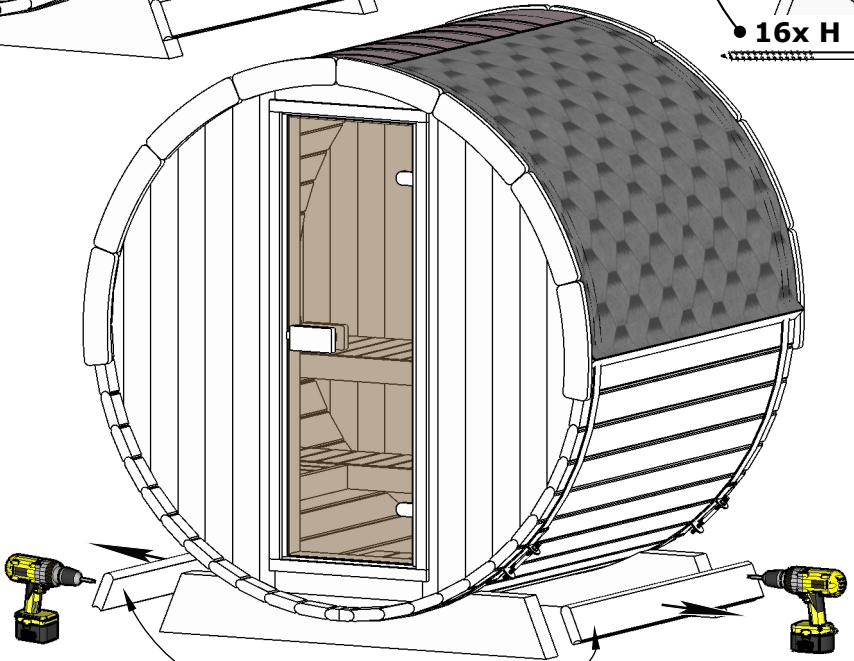
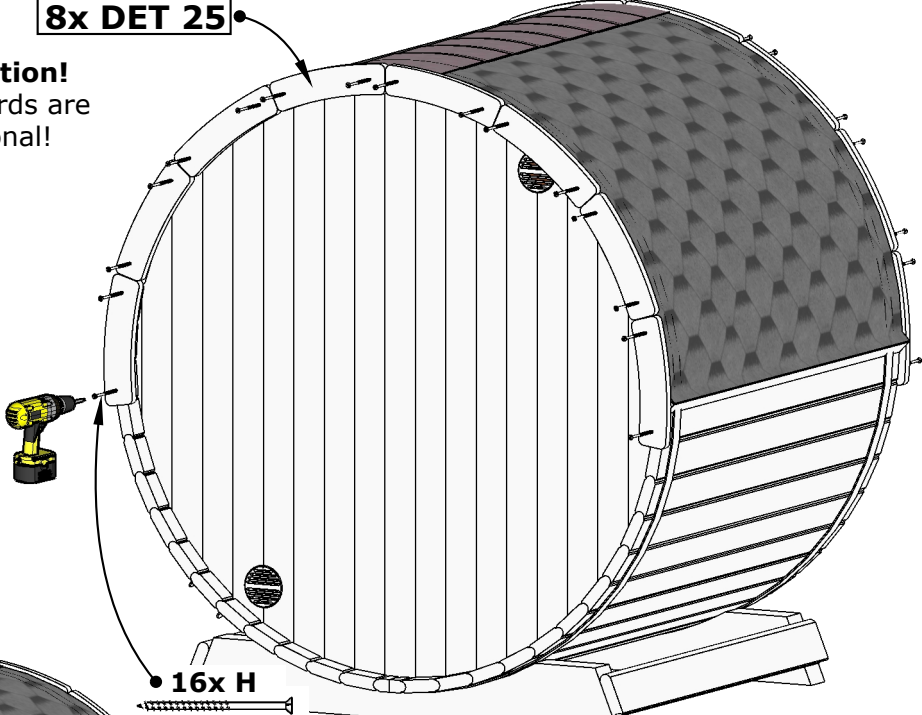
8x DET 25



I

Attention!
Endboards are optional!

8x DET 25



II • Remove DET A •