



VIKING
INDUSTRIER

GRILL CABINS

PAVILIONS

PRODUCTS CATALOG



REAL PRODUCTS FOR REAL PEOPLE

ABOUT US



Viking Industrier. One of the leading manufacturers in Europe.
We design, produce, and sell the highest quality wooden glamping products.

QUALITY | FLEXIBILITY | SHORT TERMS Basic principles of work with the B2B sector!

Wide range of garden products: grill cabins, garden cubes, pavilions, sauna barrels and cabins, hot tubs, and other camping products.

Modular products range from Grill/Camping Cabins, Camping Pods, Garden Cubes.

Factory-painted products (with paint spray machine).

Customers from Norway, Germany, Netherlands, UK, France, Denmark, and other countries are enjoying our products.

CUSTOMERS FEEDBACK:

PRODUCTS QUALITY 95%

DESIGN 92%

INNOVATION 89%

GRILL CABINS | PAVILIONS

ROOF SHINGLES

Roof shingles - 6-layer bitumen tiles consist of a durable and highly resistant fiberglass base coated with polymer reinforced bitumen mix made of high-quality bitumen and aggregate.

The top layer of tiles is surfaced with mineral granules that lend color to the tiles and ensure high UV- protection and other weather conditions resistance qualities.

The granules are painted at high temperatures using the thermal method of pigment being burned into the surface of granules which guarantees long durability of the color. The bottom of the tiles is coated with an adhesive polymer-reinforced bitumen layer protected with an easily removed silicon membrane. You may choose black, green, or red color bitumen shingles.

ROOF COLOR



Black shingles



Green shingles



Red shingles

USAGE

The first time you'll use your Grill or Pavilion the surfaces of the new product that are in direct contact with the flames may create a smoky smell when heating up. We advise keeping the door open during the first use and not cook until the smell disappears.

We suggest you use only firewood or briquettes. Larger burning objects can be added later when the fire is burning well. We advise using objects no larger than 300 mm.

A sufficient flow of fresh air is the most essential aspect of smoke exhaustion. At least as much fresh air should come in as goes out with the smoke.

If the Grill is generating a lot of smoke, open the door of the Grill Cabin and make sure that the wood is dry and without a bark. Put in additional dry wood if needed.

Keep decorations away from your Grill.

Hanging decorations look pretty, but provide fuel for a fire.

Don't leave a Grill unattended.

Don't allow kids or pets to play near the Grill. Never try to move the hot Grill, and remember the Grill will stay hot for at least an hour after its use.

Do not sleep in a Grill Cabin when The fire is on!

Please note, that the metal Grill may have sharp edges and the steel parts of the Grill heats up when the fire is burning, therefore there is a risk to harm or burn yourself.

Remove ashes from the Grill after they have cooled down.

Make sure you give yourself time to clean your Grill after each use in order to ensure maximum hygiene and proper functioning.

MAINTENANCE

You should not forget that wood is a natural material, it changes and move depending on weather conditions. Large and small cracks, the color tone differences and changes, as well as a changing the structure of wood is not errors, but a result of wood growing and a feature of wood as a natural material.

Natural wood (not impregnated) becomes greyish after having been left untouched for a while and can be turned blue and become moldy.

You should immediately process them with wood impregnations to protect the wooden details of our produced products. We definitely recommend that you process the door and windows with a wood impregnation agent, and do it namely, both inside and outside, because the doors and windows can become twisted.

In general, we recommend for the conclusive finishing a weather protection paint that will protect the wood from moisture and UV radiation after the cabin is assembled.

Consult a specialist regarding paints suitable for unprocessed softwood and follow the paint manufacturer's instructions.

Your Cabin's lifetime will be much longer after having been properly painted.

We recommend that you inspect the cabin thoroughly once every six months.

GRILL CABINS

Viking Industrier Grill Cabins are designed following the old Scandinavian tradition. High-quality Cabins are made of spruce wood and designed to provide an incredible dining experience all year round. Inside the Cabin, you will find a cozy area. The grill and chimney KIT, which is located in the middle of the cabin, stands for heating and makes it possible to prepare hot food. Depending on your wishes you can choose from a standard grill KIT to a luxury type. Grill Cabins are designed for family and friends to gather in a special place and discover the happiness of spending time together, and enjoy food and drinks.

We bring back the joy of communication!

GRILL CABIN 4.5 m²



WILL FIT
IN ANY
GARDEN



Roof panel with window (optionally)

3 pcs of double glass windows (opening)

Inside standard grill with the cooking platforms and a table around the grill



Amazing Grill Cabin 4.5 m² is designed for a family or a small circle of friends to have a good time, and it can be used in all weather conditions. As well as the cabin is a convenient option if you have little space in the garden. The Grill Cabin made of quality materials is not only functional but also decorates the environment. A good selection of cabin colors can make a garden or a yard look exceptional. High-quality materials ensure the longevity of the cabin and easy use. Cabin walls

are made of rounded spruce boards. The roof is made of six elements, thus system can withstand the considerable weight. The cabin roof is covered with bitumen shingles (different colors can be selected), and there are three opening double-glazed windows. Besides that, the door is decorated with the original hexagonal window. You also will get 3 spruce benches by the walls. The floor is easily assembled from separate components.

STANDARD SET

-
- Wall, floor, roof panels;
-
- Roof covered with bitumen shingles of your selected color;
-
- Inside grill with the cooking platforms and a table around the grill;
-
- Adjustable chimney;
-
- 3 double glass opening windows;
-
- Door with a lock and a hexagon window;
-
- 3 inside benches;
-
- Cushions for benches of your selected color: brown or blue.
-

TECHNICAL SPECIFICATION

People	5 - 6 persons
Timber	Spruce
Shape	Hexagon
Room	1
Inside area	4.5 m ²
Total height till chimney	2500 mm
Wall height	1330 mm
Floor thickness	18 mm
Wall thickness	45 mm
External dimension	2740 x 2373 mm
Door size	782 x 1630 mm
Window size	680 x 380 mm

OPTIONS

GRILL AND CHIMNEY SET

-
- Standard 6-corners grill and chimney
-
- "Viking" grill and chimney
-
- "Viking Premium" grill and chimney
-
- Luxury grill and chimney
-
- "Premium" 6-corners grill and chimney
-

ROOF COLOR



Black shingles



Green shingles



Red shingles

CUSHIONS COLOR



Blue



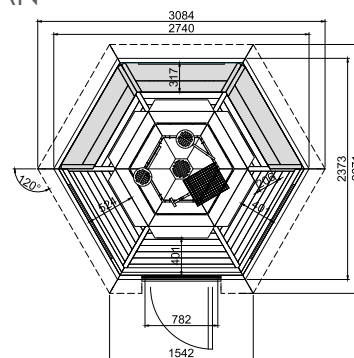
Brown

OTHER OPTIONS

-
- Roof panel with window.
-
- Exterior painting.
-
- Benches and cushions. Available to order with or without benches.
-



INSIDE PLAN



TRANSPORTATION

Grill Cabin is delivered to the customer **not assembled**, packed on a pallet (KIT), with detailed assembly instructions, drawings and maintenance recommendations.

Size of pallet (L x W x H): 2.10 x 1.20 x 2.20 m.

Weight: 880 kg.



GRILL CABIN 6.9 m²



PERFECT FOR
5-10
PERSONS



Inside standard 8 - corners grill with cooking platforms and tables around the grill

Cozy Grill Cabin 6.9 m² is designed for a family or a small circle of friends to relax, and it can be used in all weather conditions. The Grill Cabin made of quality materials is not only functional but also decorates the environment. A good selection of cabin colors can make a garden or a yard look exceptional.

From now on you can order Factory Painted Grill Cabins!

The high-quality preservative finish is professionally spray-applied in the factory to one side of the wood. The product is treated in your choice of color. You can choose two colors for one product: one for almost all product details and another for finishing details.

STANDARD SET

- Wall, floor, roof panels;
- Roof covered with bitumen shingles of your selected color;
- Inside grill with the cooking platforms and a table around the grill;
- Adjustable chimney;
- 4 double glass opening windows;
- Door with a lock and a hexagon window;
- 5 inside benches;
- Cushions for benches of your selected color: brown or blue.

TECHNICAL SPECIFICATION

People	5 - 10 persons
Timber	Spruce
Shape	Octagonal
Room	1
Inside area	6.9 m ²
Total height till chimney	3327 mm
Wall height	1205 mm
Floor thickness	18 mm
Wall thickness	45 mm
External dimension	2909 x 2909 mm
Door size	782 x 1500 mm
Window size	680 x 380 mm

OPTIONS

GRILL AND CHIMNEY SET

Standard 8-corners grill and chimney

"Viking" grill and chimney

"Viking Premium" grill and chimney

Luxury grill and chimney

"Premium" 8-corners grill and chimney

ROOF COLOR



Black shingles



Green shingles



Red shingles

CUSHIONS COLOR



Blue



Brown

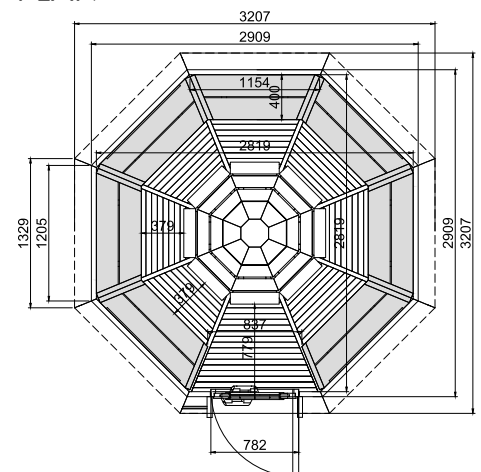
OTHER OPTIONS

- Roof panel with window.
- Insulated floor and roof.
- Tongue and groove floor.
- Walls height. One or two extra boards in walls.
- Exterior painting.
- Benches and cushions. Available to order with or without benches.



Internal door lock

INSIDE PLAN



TRANSPORTATION

Grill Cabin is delivered to the customer **not assembled**, packed on a pallet (KIT), with detailed assembly instructions, drawings and maintenance recommendations.

Size of pallet (L x W x H): 2.40 x 1.20 x 2.50 m.

Weight: 1100 kg.



Grill Cabin 6.9 m². Door with wooden handles and lock

GRILL CABIN 9.2 m²



**MOST
POPULAR
SIZE**



Cozy Grill Cabin 6.9 m² is designed for a family or a small circle of friends to relax, and it can be used in all weather conditions. The Grill Cabin made of quality materials is not only functional but also decorates the environment.

From now on you can order Factory Painted Grill Cabins!

The high-quality preservative finish is professionally spray-applied in the factory to one side of the wood. The product is treated in your choice of color. You can choose two colors for one product: one for almost all product details and another for finishing details.

STANDARD SET

Wall, floor, roof panels;
 Roof covered with bitumen shingles of your selected color;
 Inside grill with the cooking platforms and a table around the grill;
 Adjustable chimney;
 3 double glass windows (1 of them opening);
 Door with a lock and a hexagon window;
 5 inside benches (2 of them folding benches);
 Cushions for benches of your selected color: brown or blue.

TECHNICAL SPECIFICATION

People	12 - 15 persons
Timber	Spruce
Shape	Hexagon
Room	1
Inside area	9.2 m ²
Total height till chimney	3026 mm
Wall height	1155 mm
Floor thickness	18 mm
Wall thickness	45 mm
External dimension	3760 x 3256 mm
Door size	782 x 1630 mm
Window size	880 x 510 mm

OPTIONS

GRILL AND CHIMNEY SET

Standard 6-corners grill and chimney

"Viking" grill and chimney

"Viking Premium" grill and chimney

Luxury grill and chimney

"Premium" 6-corners grill and chimney

ROOF COLOR



Black shingles



Green shingles



Red shingles

CUSHIONS COLOR



Blue



Brown

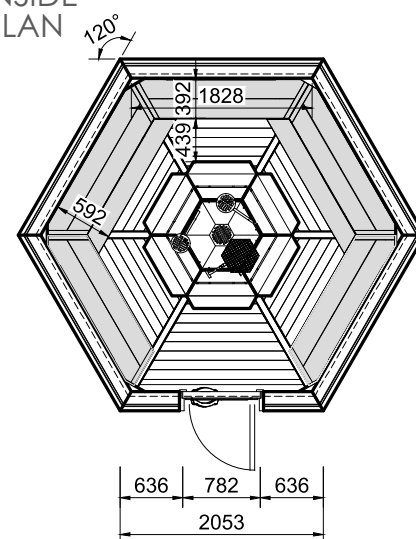
OTHER OPTIONS

Roof panel with window.
 Insulated floor and roof.
 Tongue and groove floor.
 Walls height. One or two extra boards in walls.
 Exterior painting.
 Benches and cushions. Available to order with or without benches.



Internal door lock

INSIDE PLAN



TRANSPORTATION

Grill Cabin is delivered to the customer **not assembled**, packed on a pallet (KIT), with detailed assembly instructions, drawings and maintenance recommendations.

Size of pallet (L x W x H): 2.40 x 1.20 x 2.55 m.

Weight: 1200 kg.



Grill Cabin 9.2 m². INSIDE with options:
"Premium" 6 - corners grill and chimney KIT
Roof panel with window

GRILL CABIN 9.2 m² WITH SLOPING WALLS



Roof covered with bitumen shingles of your selected color

"Viking" grill and chimney (optionally)

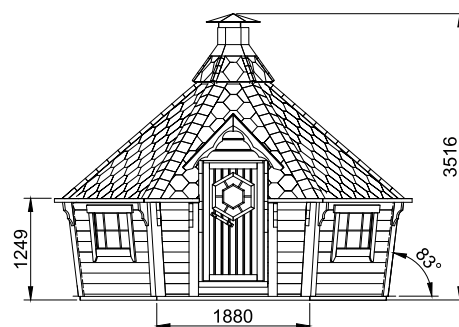
Seating for up to 15 people



Design, ergonomic, and more comfortable sitting places let you fall in love with the product immediately! Grill cabin 9.2 m² with sloping walls will help your garden look amazing. High-quality materials ensure the longevity of a grill cabin and easy use. Cabin walls are made of rounded spruce boards. A roof is made of six elements and covered with bitumen shingles (different colors can be selected).

DRAWINGS

Front view



STANDARD SET

Wall, floor, roof panels;

Roof covered with bitumen shingles of your selected color;

Inside grill with the cooking platforms and a table around the grill;

Adjustable chimney;

3 double glass opening windows;

Door with a lock and a hexagon window;

5 inside benches from spruce (2 of them folding benches);

Cushions for benches of your selected color.

OPTIONS

GRILL AND CHIMNEY SET

Standard 6-corners grill and chimney

"Viking" grill and chimney

"Viking Premium" grill and chimney

Luxury grill and chimney

"Premium" 6-corners grill and chimney

ROOF COLOR



Black shingles



Green shingles



Red shingles

CUSHIONS COLOR



Blue



Brown

OTHER OPTIONS

Roof panel with window.

Insulated floor and roof.

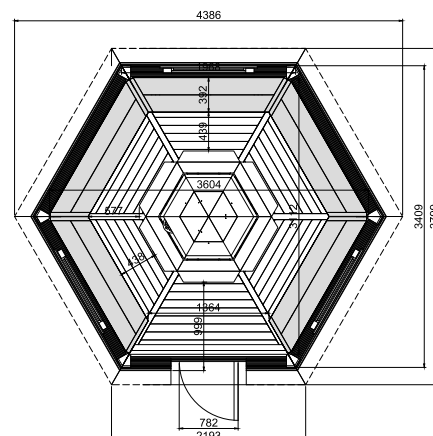
Tongue and groove floor.

Walls height. One or two extra boards in walls.

Exterior painting.

Benches and cushions. Available to order with or without benches.

INSIDE PLAN



TRANSPORTATION

Grill Cabin is delivered to the customer **not assembled**, packed on a pallet (KIT), with detailed assembly instructions, drawings and maintenance recommendations.

Size of pallet (L x W x H): 2.40 x 1.20 x 2.50 m.

Weight: 1100 kg.

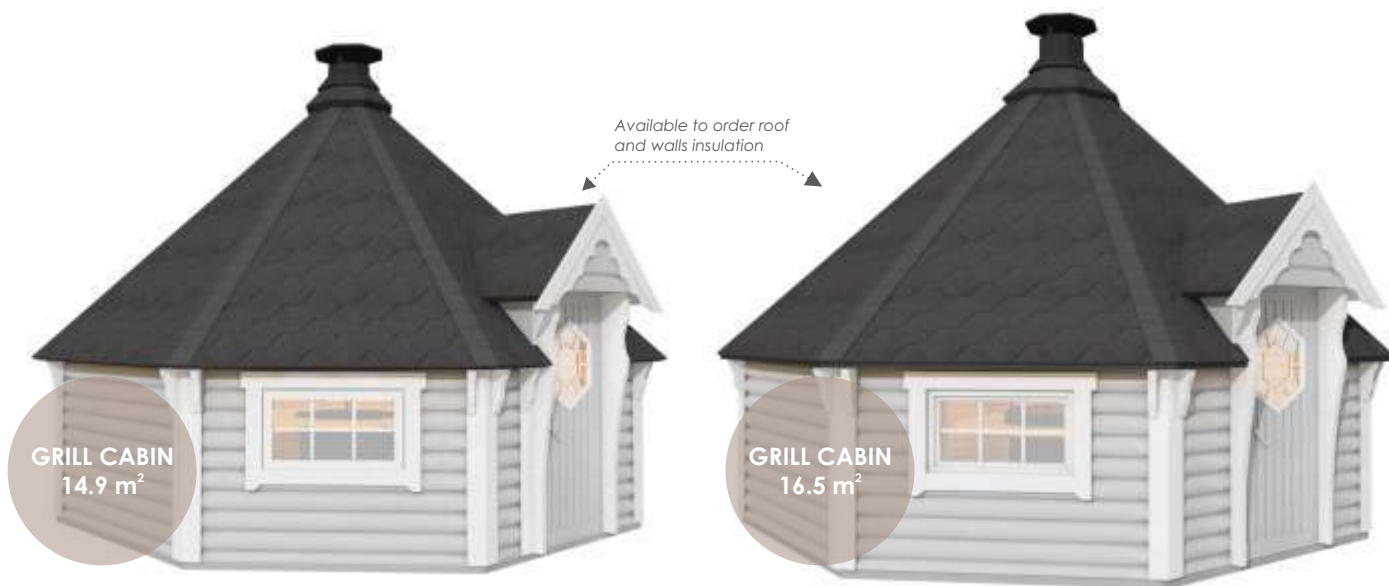
TECHNICAL SPECIFICATION

People	12 - 15 persons
Timber	Spruce
Shape	Hexagon
Room	1
Inside area	9.2 m ²
Total height till chimney	3062 mm
Wall height	1161 mm
Floor thickness	18 mm
Wall thickness	45 mm
External dimension	3760 x 3256 mm
Door size	782 x 1630 mm
Window size	880 x 510 mm



Grill Cabin 9.2 m² with sloping walls. INSIDE with "Viking" grill and chimney KIT

GRILL CABIN 14.9 m² | 16.5 m²



Spacious Grill Cabin 14.9 m² and even more spacious 16.5 m² cabin give a great opportunity for a big group of friends or a large family to rest and at the same time enjoy delicious grilled steaks. This grill cabin can be used in any weather condition, which makes it a great meeting place. Also, the grill cabin provides both comfort and exclusiveness to the environment.

STANDARD SET

-
- Wall, roof panels;
-
- Roof covered with bitumen shingles of your selected color;
-
- Inside grill with the cooking platforms and a table around the grill;
-
- Adjustable chimney;
-
- 4 double glass windows (2 of them opening);
-
- Door with a lock and hexagon window;
-
- 7 inside benches from spruce (2 of them are folding benches);
-
- Cushions for benches of your selected color.
-

TECHNICAL SPECIFICATION

.....
People, 14.9 m ²	14 - 20 persons
16.5 m ²	20 - 25 persons
.....
Timber	Spruce
.....
Shape	Octagonal
.....
Room	1
.....
Total height till chimney, 14.9 m ²	3566 mm
16.5 m ²	3600 mm
.....
Wall height	1155 mm
.....
Floor thickness	18 mm
.....
Wall thickness	45 mm
.....
External dimension, 14.9 m ²	4297 x 4297 mm
16.5 m ²	4539 x 4539 mm
.....
Door size	782 x 1630 mm
.....
Window size	880 x 510 mm
.....

OPTIONS

GRILL AND CHIMNEY SET	OPTIONS
Standard 8-corners grill and chimney	Insulated roof and/or floor.
"Viking" grill and chimney	Tongue and groove floor.
"Viking Premium" grill and chimney	More opening windows.
Luxury grill and chimney	Benches. Available to order with or without benches.
"Premium" 8-corners grill and chimney	Roof color: black, green, red.
.....	Roof panel with window. Not opening.
.....	Exterior painting.
.....	Walls height: plus one or two extra boards in a walls.

TRANSPORTATION

Grill Cabins are delivered to the customer **not assembled**, packed on a pallet (KIT), with detailed assembly instructions, drawings, and maintenance recommendations.

Cabins size of pallet (L x W x H): 3.50 x 1.20 x 2.55 m.

Cabins weight: 1600-1700 kg.





Grill Cabin 16.5 m².
With green roof shingles; Factory painted

GRILL CABIN 25 m²



Inside standard grill with cooking platforms and tables around the grill



Table and benches SET

Biggest Grill Cabin 25 m² of ours invites you to pleasantly spend your weekends, celebrate holidays with a large group of friends, and organize events or get-togethers of your relatives. It will easily fit about thirty people.

Huge space, delicious grill steaks, and fire heat will create the best mood for smaller or bigger celebrations.

STANDARD SET

-
- Wall, roof panels;
- Roof covered with bitumen shingles of your selected color;
- Inside grill with the cooking platforms and a table around the grill;
- Adjustable chimney;
- 4 double glass windows (2 of them opening);
- Door with a lock and hexagon window;
- 7 inside benches from spruce (2 of them are folding benches);
- Cushions for benches of your selected color.
-

OPTIONS

GRILL AND CHIMNEY SET

- **Standard 8-corners** grill and chimney
- **"Viking"** grill and chimney
- **"Viking Premium"** grill and chimney
- **Luxury** grill and chimney
- **"Premium"** 8-corners grill and chimney

ROOF COLOR



Black shingles

Green shingles

Red shingles

OTHER OPTIONS

- Insulated roof and/or floor.
- Tongue and groove floor.
- More opening windows.
- Benches. Available to order with or without benches.
- Exterior painting.
- Walls height: plus one or two extra boards in a walls.

TRANSPORTATION

Grill Cabin is delivered to the customer **not assembled**, packed on a pallet (KIT), with detailed assembly instructions, drawings and maintenance recommendations.

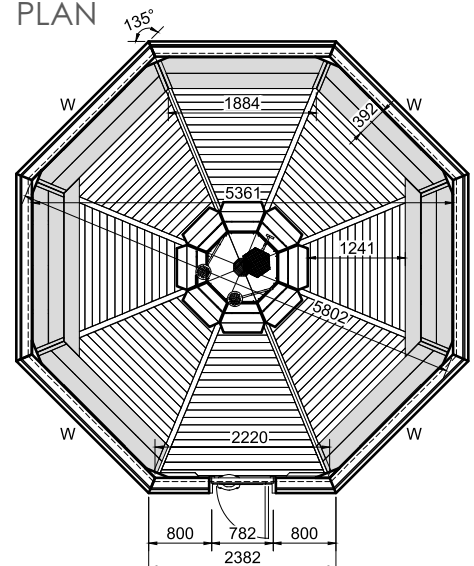
Size of pallet (L x W x H): 4.55 x 1.20 x 2.60 m.

Weight: 2300 kg.

TECHNICAL SPECIFICATION

People	25 - 30 persons
Timber	Spruce
Shape	Octagonal
Room	1
Inside area	25 m ²
Total height till chimney	4054 mm
Wall height	1155 mm
Floor thickness	18 mm
Wall thickness	45 mm
External dimension	5450 x 5450 mm
Door size	782 x 1760 mm
Window size	880 x 510 mm

INSIDE PLAN





Grill Cabin 25 m².
With table and benches SET.



OPEN GRILL CABINS

A luxurious option for your backyard
for the summer and all year

OPEN GRILL CABIN 9.2 m²



Nowadays a cookout is becoming more and more popular as a leisure activity. This surprisingly spacious cabin with a central grill and bench seats gives a continental air and is a unique option to cook outdoors. Cabin walls are made of rounded spruce boards. The roof is made of six elements and covered with bitumen shingles (different colors can be selected).

There is a convenient wood or charcoal-fired grill with a table around it inside the cabin. Also, one adjustable cooking platform and two special platforms for a kettle, frying pan, etc. can be found. Above the grill, there is an adjustable chimney.

Important! This Open Grill Cabin standard set is without a floor!



STANDARD SET

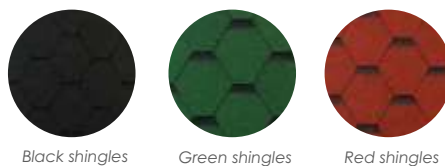
-
- Wall, roof panels;
- Roof covered with bitumen shingles of your
- selected color;
- Inside grill with the cooking platforms and a table
- around the grill;
- Adjustable chimney;
- Square columns;
- 3 inside benches from spruce.
-

OPTIONS

GRILL AND CHIMNEY SET

-
- **Standard 6-corners** grill and chimney
- "Viking" grill and chimney
- "Viking Premium" grill and chimney
- **Luxury** grill and chimney
- "Premium" 6-corners grill and chimney
-

ROOF COLOR



TECHNICAL SPECIFICATION

.....
..... People 10 persons
..... Timber Spruce
..... Shape Hexagon
..... Room 1
..... Inside area 9.2 m ²
..... Total height till chimney 3112 mm
..... Wall height 1285 mm
..... Terrace floor thickness (as extra) 28 mm
..... Wall thickness 45 mm
..... External dimension 3864 x 3404 mm
..... Door size -
..... Window size -

OTHER OPTIONS

- Impregnated terrace floor.
- Exterior painting.
- Benches. Available to order with or without benches.
-

TRANSPORTATION

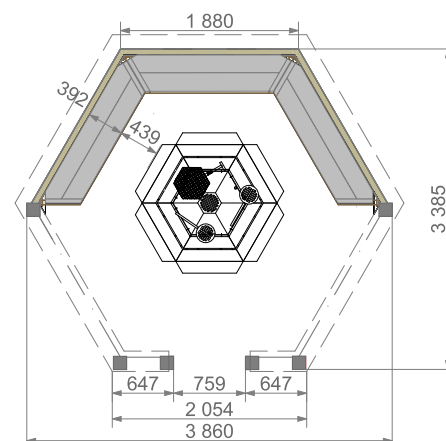
Grill Cabin is delivered to the customer **not assembled**, packed on a pallet (KIT), with detailed assembly instructions, drawings and maintenance recommendations.

Size of pallet (L x W x H): 2.50 x 1.20 x 2.40 m.

Weight: 900 kg.



INSIDE PLAN



OPEN GRILL CABIN 9.2 m²

NORDIC

Open Grill Cabin can be factory painted

2 double glass windows in side walls

The standard set is without floor



Open Grill Cabin „Nordic“ in Norway

This beautiful open-air barbecue cabin with a central charcoal grill is ideally made for outdoor dining. The cabin is perfectly protected from the wind because it has 4 closed walls with two windows and has space for 10 persons around the table.

STANDARD SET

-
- Wall, roof panels;
- Roof covered with bitumen shingles of your selected color;
- Inside grill with the cooking platforms and a table around the grill;
- Adjustable chimney;
- 2 double glass windows (not opening);
- 4 inside benches from spruce.
-

TECHNICAL SPECIFICATION

People	10 persons
Timber	Spruce
Shape	Hexagon
Room	1
Inside area	9.2 m ²
Total height till chimney	3050 mm
Wall height	1415 mm
Terrace floor thickness (as extra)	28 mm
Wall thickness	45 mm
External dimension	3760 x 3256 mm
Door size	-
Window size	880 x 510 mm

OPTIONS

GRILL AND CHIMNEY SET

-
- Standard 6-corners grill and chimney
- "Viking" grill and chimney
- "Viking Premium" grill and chimney
- Luxury grill and chimney
- "Premium" 6-corners grill and chimney
-

ROOF COLOR



Black shingles



Green shingles



Red shingles

OTHER OPTIONS

-
- Impregnated terrace floor.
- Exterior painting.
- Benches. Available to order with or without benches.
-

TRANSPORTATION

Grill Cabin is delivered to the customer **not assembled**, packed on a pallet (KIT), with detailed assembly instructions, drawings and maintenance recommendations.

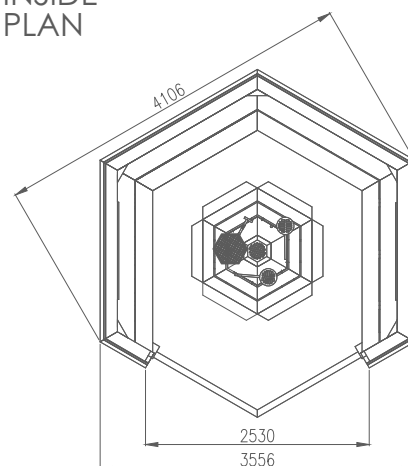
Size of pallet (L x W x H): 2.50 x 1.20 x 2.40 m.

Weight: 1050 kg.



Cabin in New Zealand

INSIDE PLAN





Open Grill Cabin 9.2 m² "Nordic" in Norway "Treetop Island"

OPEN GRILL CABIN 14.9 m²



A combination of Scandinavian style and natural wood allows you to enjoy a cozy BBQ cabin. Due to its design and easy assembly, the cabin is extremely mobile and can be built in your garden, yard, or campsite. The Grill cabin has an enclosed wall at the back, protecting against the wind. The open front allows you to enjoy the view and be in the fresh air.

Important! This Open Grill Cabin standard set is without a floor!

STANDARD SET

Wall, roof panels;
 Roof covered with bitumen shingles of your selected color;
 Inside grill with the cooking platforms and a table around the grill;
 Adjustable chimney;
 Square columns;
 2 windows (not opening);
 5 inside benches from spruce.

TECHNICAL SPECIFICATION

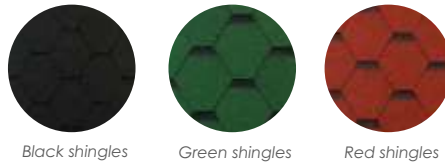
People	10-15 persons
Timber	Spruce
Shape	Octagonal
Room	1
Inside area	14.9 m ²
Total height till chimney	3574 mm
Wall height	1330 mm
Window size	880 x 510 mm
Wall thickness	45 mm
External dimension	4343 x 4419 mm
Door size	-

OPTIONS

GRILL AND CHIMNEY SET

Standard 8-corners grill and chimney
 "Viking" grill and chimney
 "Viking Premium" grill and chimney
 Luxury grill and chimney
 "Premium" 8-corners grill and chimney

ROOF COLOR



OTHER OPTIONS

Exterior painting.
 Benches. Available to order with or without benches.

TRANSPORTATION

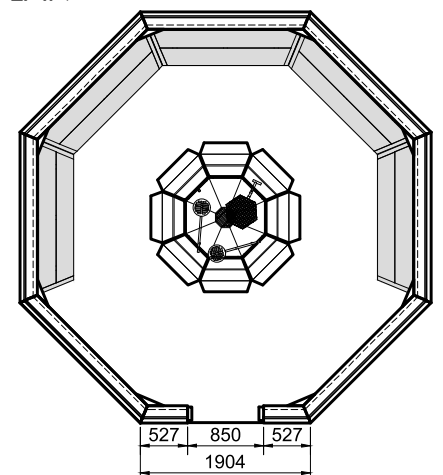
Grill Cabin is delivered to the customer **not assembled**, packed on a pallet (KIT), with detailed assembly instructions, drawings and maintenance recommendations.

Size of pallet (L x W x H): 3.50 x 1.20 x 2.55 m.

Weight: 1300 kg.



INSIDE PLAN



EXTENSIONS

3 | 4.3 | 5.2 m²

FOR 9.2 m², 16.5 m², 25 m² CABINS

EXTENSIONS 3 | 4.3 | 5.2

FOR 9.2 m², 16.5 m², 25 m² CABINS

Available 3 different sizes of extension for 9.2 m², 16.5 m² and 25 m² cabins



AVAILABLE EXTENSIONS

Ensure that our modular cabins (9.2 m²; 16.5 m² and 25 m²) can meet your needs and wants we suggest choosing the extension from 4 different sizes and types! If you need some extra space you can add an extension of sizes:

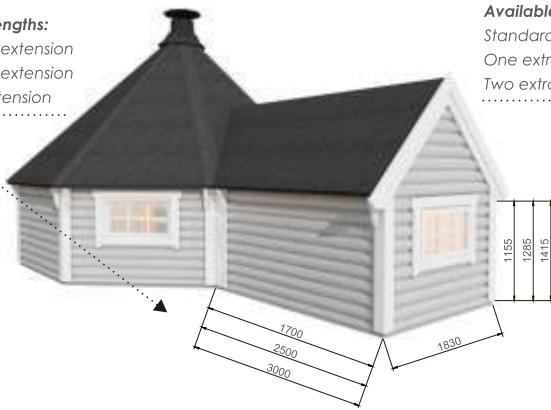
3 m² extension (standard size). Dimensions (L x W x H): 1700 x 1830 x 1155 mm. Empty room.

4.3 m² extension. Dimensions (L x W x H): 2500 x 1830 x 1155 mm. Empty room.

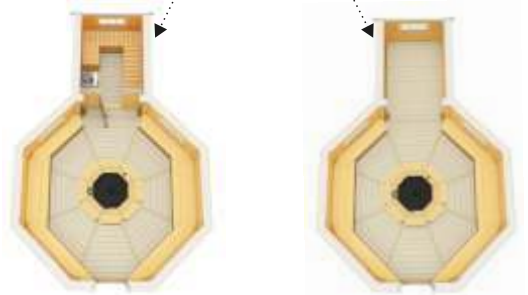
4.3 m² extension with sauna room. Dimensions (L x W x H): 2500 x 1830 x 1155 mm. The extension goes together with the inside partition wall (with a glass door between the grill and sauna room), a heat-resistant plate for the heater/stove, and sauna room benches.

5.2 m² extension. Dimensions (L x W x H): 3000 x 1830 x 1155 mm. Empty room.

3 different lengths:
1.70 m long extension
2.50 m long extension
3 m long extension



2.5 m long extension two types:
with or without sauna room



INTERIOR IDEAS FOR EXTENSIONS





Grill Cabin 16.5 m² with SAUNA extension (2.50 m long)



FOR PERFECT WEEKEND GETAWAY!

DOUBLE CABINS

GRILL CABIN 9.2 + 9.2 m² DOUBLE



Double Grill Cabin 9.2 m² is one of the most popular products of the company and is a great place to relax, and have a party or family meetings. An excellent grill ensures comfort and environmental distinction. It can be painted in the desired color and therefore be perfect for your garden. Therefore, the double version of this product gives you twice as much joy and the ability to have more comfort in your leisure time.

STANDARD SET

-
- Wall, floor, roof panels;
-
- Roof covered with bitumen shingles of your selected color;
-
- Inside grill with the cooking platforms and a table around the grill;
-
- Adjustable chimney;
-
- 7 double glass windows (2 of them are opening);
-
- Door with a lock and a hexagon window;
-
- 5 inside benches (2 of them are folding benches);
-
- Cushions for benches of your selected color.
-
- Connections between cabins.
-

TECHNICAL SPECIFICATION

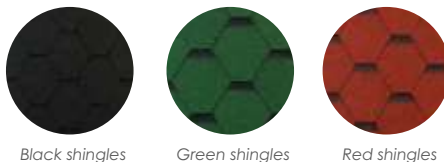
.....
People	25 - 30 persons
.....
Timber	Spruce
.....
Shape	Connected 2 hexagons
.....
Rooms	2
.....
Inside area	23.62 m ²
.....
Total height till chimney	2852 mm
.....
Wall height	1155 mm
.....
Floor thickness	18 mm
.....
Wall thickness	45 mm
.....
External dimension	9467 x 4106 mm
.....
Door size	782 x 1630 mm
.....
Window size	880 x 510 mm
.....

OPTIONS

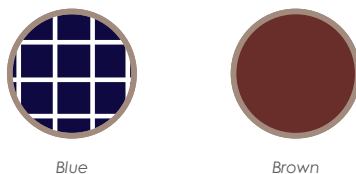
GRILL AND CHIMNEY SET

-
- Standard 6-corners grill and chimney
-
- "Viking" grill and chimney
-
- "Viking Premium" grill and chimney
-
- Luxury grill and chimney
-
- "Premium" 6-corners grill and chimney
-

ROOF COLOR



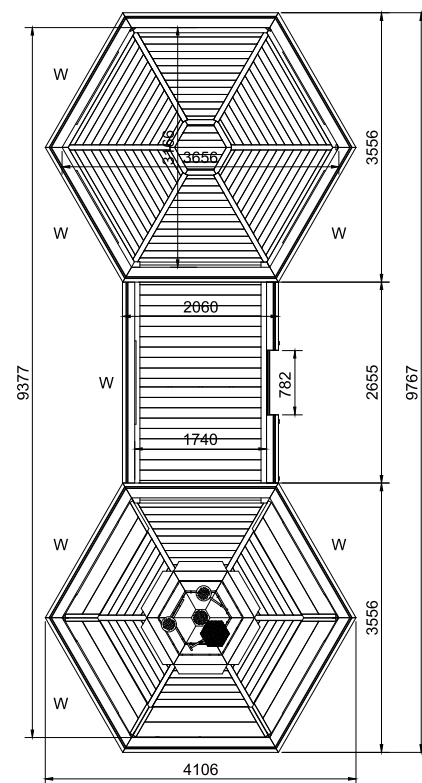
CUSHIONS COLOR



OTHER OPTIONS

-
- Roof panel with window.
-
- Insulated floor and roof.
-
- Tongue and groove floor.
-
- Walls height. One or two extra boards in walls.
-
- Partition wall with door.
-
- More opening windows.
-
- Exterior painting.
-
- Benches and cushions. Available to order with or without benches.
-

INSIDE PLAN



TRANSPORTATION

Grill Cabin is delivered to the customer **not assembled**, packed on a pallets (KIT), with detailed assembly instructions, drawings and maintenance recommendations.

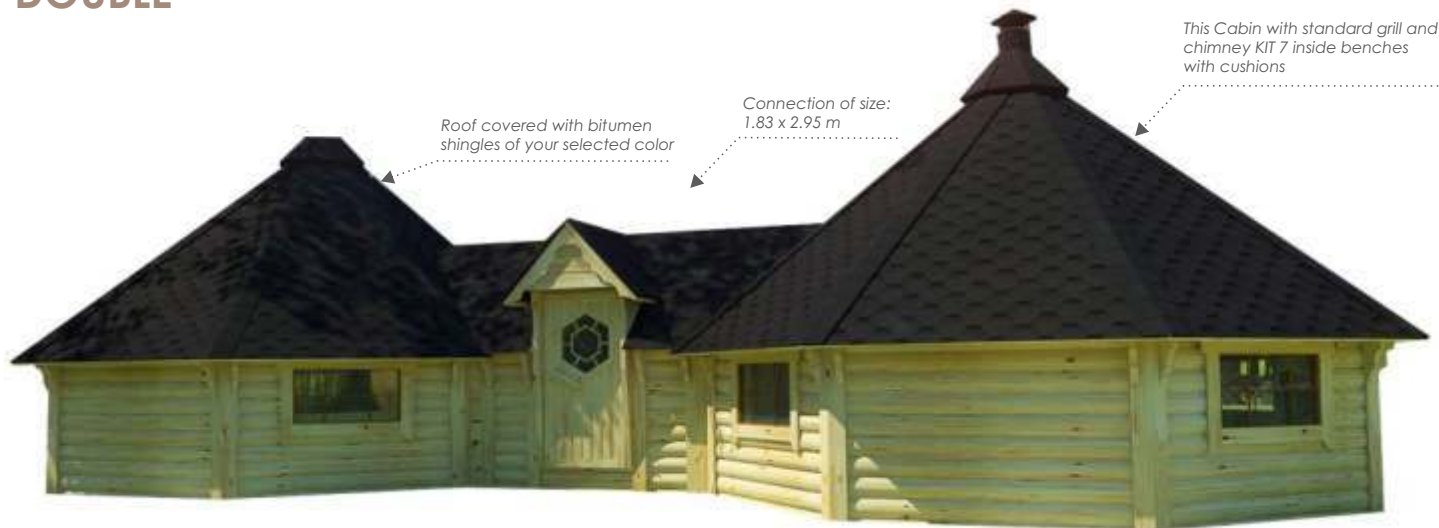
Size of pallets (L x W x H):

4 x 1.20 x 2.55 m and 2.50 x 1.20 x 2.55 m.

Weight: 2800 kg.

GRILL CABIN 16.5 + 16.5 m²

DOUBLE



Roof covered with bitumen shingles of your selected color

Connection of size: 1.83 x 2.95 m

This Cabin with standard grill and chimney KIT 7 inside benches with cushions

If you're looking for a versatile place for a barbecue with a relaxed feel, a wonderful Grill Cabin 16.5 + 16.5 m² is a great experience for up to thirty-five people. It is a cabin with a wood-fired grill and a table around in one of the cabins but it could be anything you want it to be in another space of the cabin! It is a great way of adding extra indoor space to your home. You can use this for any purpose you can think of from bedroom to playhouse all year round.

STANDARD SET

-
- Wall, floor, roof panels;
-
- Roof covered with bitumen shingles of your selected color;
-
- Inside grill with the cooking platforms and a table around the grill;
-
- Adjustable chimney;
-
- 9 double glass windows (4 of them are opening);
-
- Door with a lock and a hexagon window;
-
- 7 inside benches (2 of them are folding benches);
-
- Cushions for benches of your selected color;
-
- Connections between cabins.
-

TECHNICAL SPECIFICATION

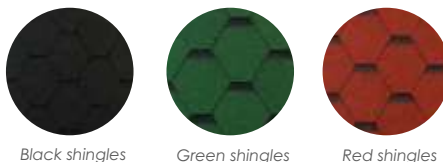
.....
People	30 - 35 persons
.....
Timber	Spruce
.....
Shape	Connected 2 octagonals
.....
Rooms	2
.....
Inside area	36.8 m ²
.....
Total height till chimney	3600 mm
.....
Wall height	1155 mm
.....
Floor thickness	18 mm
.....
Wall thickness	45 mm
.....
External dimension	11334 x 4538 mm
.....
Door size	782 x 1630 mm
.....
Window size	880 x 510 mm
.....

OPTIONS

GRILL AND CHIMNEY SET

-
- Standard 8-corners grill and chimney
-
- "Viking" grill and chimney
-
- "Viking Premium" grill and chimney
-
- Luxury grill and chimney
-
- "Premium" 8-corners grill and chimney
-

ROOF COLOR

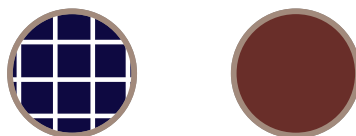


Black shingles

Green shingles

Red shingles

CUSHIONS COLOR



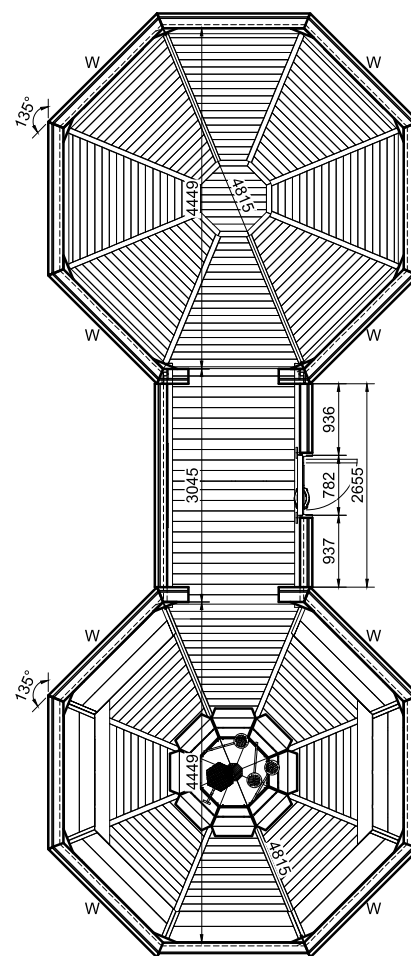
Blue

Brown

OTHER OPTIONS

-
- Roof panel with window.
-
- Insulated floor and roof.
-
- Tongue and groove floor.
-
- Walls height. One or two extra boards in walls.
-
- Partition wall with door.
-
- More opening windows.
-
- Exterior painting.
-
- Benches and cushions. Available to order with or without benches.
-

INSIDE PLAN



TRANSPORTATION

Grill Cabin is delivered to the customer **not assembled**, packed on a pallets (KIT), with detailed assembly instructions, drawings and maintenance recommendations.

Size of pallets (L x W x H):

4.60 x 1.20 x 2.55 m and 3.50 x 1.20 x 2.55 m.

Weight: 2650 kg.



Connection between cabins



„Luxury“ grill and chimney KIT with grill cover

GRILL CABIN 16.5 + 9.2 m² WITH SAUNA CABIN



Two of our favorite products: Grill Cabin and Sauna Cabin together! Enjoy your meal in a cozy atmosphere surrounded by a rustic interior in Grill Cabin and take the sauna pleasure at the 9.2 m² Sauna Cabin.

STANDARD SET

Wall, floor, roof panels;
Insulated roof panels of sauna cabin;
Roof covered with bitumen shingles of your selected color;
Inside grill with the cooking platforms, table around the grill and adjustable chimney;
4 double glass grill room windows (2 of them are opening);
2 hexagon sauna room windows (not opening);
Door with a lock and a hexagon window;
Tempered glass sauna room door;
7 inside benches (2 of them are folding benches);
Cushions for benches of your selected color;
Sauna room benches from deciduous wood;
Safety fence for the heater/stove;
Heat-resistant plate for the heater/stove;
Cabins connection with window.

TECHNICAL SPECIFICATION

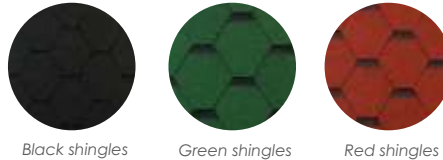
People	30 - 35 persons
Timber	Spruce
Shape	Octagonal + hexagon
Rooms	2
Inside area	30 m ²
Total height till chimney	3600 mm
Wall height	1415 mm
Floor thickness	18 mm
Wall thickness	45 mm
External dimension	11050 x 4839 mm
Door size	782 x 1890 mm
Grill cabin window size	880 x 510 mm
Sauna cabin window size	614 x 614 mm

OPTIONS

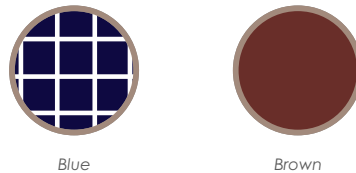
GRILL AND CHIMNEY SET

Standard 8-corners grill and chimney
"Viking" grill and chimney
"Viking Premium" grill and chimney
Luxury grill and chimney
"Premium" 8-corners grill and chimney

ROOF COLOR



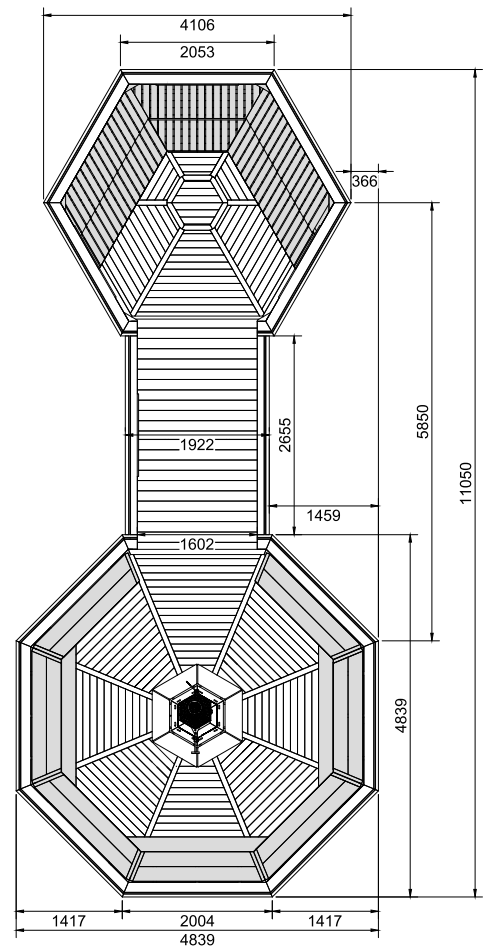
CUSHIONS COLOR



OTHER OPTIONS

Roof panel with window.
Insulated floor and roof.
Tongue and groove floor.
Partition wall with door.
More opening windows.
Exterior painting.
Benches and cushions. Available to order with or without benches.

INSIDE PLAN



TRANSPORTATION

Grill Cabin is delivered to the customer **not assembled**, packed on a pallets (KIT), with detailed assembly instructions, drawings and maintenance recommendations.

Size of pallets (L x W x H):

4.60 x 1.20 x 2.55 m and 3.00 x 1.20 x 2.55 m.

Weight: 2650 kg.



Grill Cabin 16.5 m2 with "Luxury" grill and chimney KIT



Sauna room with two-tier sauna benches
Electric heater Harvia Cilindro (as extra)



Connection between Grill Cabin and Sauna Cabin

GRILL CABIN 25 + 25 m²

DOUBLE



Transform your outdoor space with a huge Double Grill Cabin. This is a great way to grow your social life and create a space that you can enjoy with friends and family all year round. High-quality materials ensure the longevity of a grill house and easy use. Cabin walls are made of rounded spruce boards with dimensions 45 x 145 mm. A roof is covered with bitumen shingles (different colors can be selected), and there are nine double-glazed windows, four of which are open.

STANDARD SET

Wall, floor, roof panels;
 Roof covered with bitumen shingles of your selected color;
 Inside grill with the cooking platforms, table around the grill and adjustable chimney;
 9 double glass windows (4 of them are opening);
 Door with a lock and a hexagon window;
 7 inside benches (2 of them are folding benches);
 Cushions for benches of your selected color;
 Connection between cabins.

TECHNICAL SPECIFICATION

People	30 - 40 persons
Timber	Spruce
Shape	Connected 2 octagonals
Rooms	2
Inside area	53.8 m ²
Total height till chimney	4054 mm
Wall height	1155 mm
Floor thickness	18 mm
Wall thickness	45 mm
External dimension	13853 x 5449 mm
Door size	782 x 1760 mm
Window size	880 x 510 mm

TRANSPORTATION

Grill Cabin is delivered to the customer **not assembled**, packed on a pallets (KIT), with detailed assembly instructions, drawings and maintenance recommendations.

Size of pallets (L x W x H):

4.55 x 1.20 x 2.55 m (2 pallets); 1.20 x 1.20 x 2.55 m.

Weight: 4800 kg.

OPTIONS

GRILL AND CHIMNEY SET

Standard 8-corners grill and chimney
 "Viking" grill and chimney
 "Viking Premium" grill and chimney
 Luxury grill and chimney
 "Premium" 8-corners grill and chimney

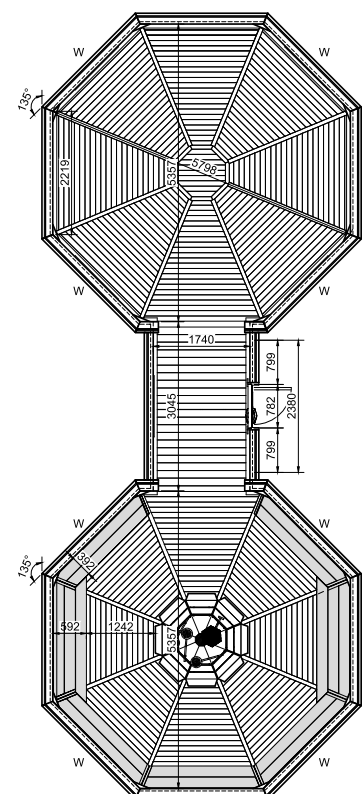
OTHER OPTIONS

Roof color: black, green or red shingles.
 Cushions color: blue or brown.
 Roof panel with window.
 Insulated floor and roof.
 Tongue and groove floor.
 Walls height. One or two extra boards in walls.
 Partition wall with door.
 More opening windows.
 Exterior painting.
 Benches and cushions. Available to order with or without benches.

Available to order
 partition wall with door



INSIDE PLAN



Inside area of 53.8 m²



PAVILIONS WITH GRILL



Add some character and beauty to your outdoor setting with Grilling Pavilions! These Pavilions allow You to choose the different types of Grills, opening windows quantity, roof color, benches, and cushions type. It gives you the benefits of all-year-round BBQs combined with plenty of space. With every wall featuring a window, there is plenty of light and panoramic views for you and all your guests to feel at one with your outdoor space.

PAVILION 9.2 m²



A small Pavilion of 9.2 m² with a grill inside is designed for a family or a group of close friends to relax. A lot of light coming inside through five Pavilion windows and glazed doors as well as a grill inside makes your rest pleasant and cozy. The Pavilion is made of high-quality spruce wood, and the walls are made of rounded spruce boards with dimensions of 45 x 145 mm. A roof is made of separate elements, thus the system can withstand considerable weight.

STANDARD SET

- Wall, floor, roof panels;
- Roof covered with bitumen shingles of your selected color;
- Inside grill with cooking platforms with tables around the grill and adjustable chimney;
- 5 double glass windows (2 of them are opening);
- Double doors with a lock and windows;
- 5 inside benches (2 of them are folding benches);
- Cushions for the benches.

TECHNICAL SPECIFICATION

..... Timber Spruce
..... Shape Hexagon
..... Room 1
..... Inside area 9.2 m ²
..... Total height till chimney 3400 mm
..... Wall height 1880 mm
..... Wall thickness 45 mm
..... External dimension 3770 x 3256 mm
..... Door size 1020 x 1598 mm
..... Window size 1010 x 1014 mm

TRANSPORTATION

Pavilion is delivered to the customer **not assembled**, packed on a pallet (KIT), with detailed assembly instructions, drawings and maintenance recommendations.

Size of pallets (L x W x H):

2.60 x 1.20 x 2.55 m.

Weight: 1250 kg.

OPTIONS

GRILL AND CHIMNEY SET

- **Standard 6-corners** grill and chimney
- **"Viking"** grill and chimney
- **"Viking Premium"** grill and chimney
- **Luxury** grill and chimney
- **"Premium"** 6-corners grill and chimney

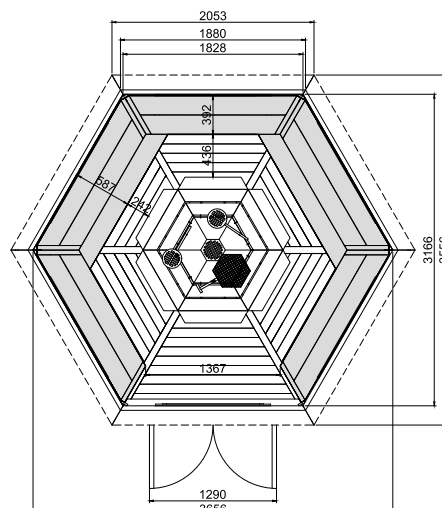
OTHER OPTIONS

- Roof color;
- More opening windows;
- With/without benches and cushions;
- Exterior painting.

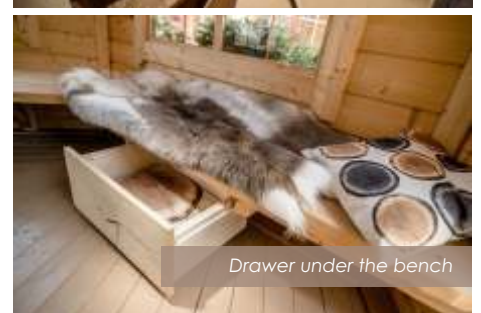


"Luxury" Grill and Chimney KIT

INSIDE PLAN



Grill and Chimney KIT with safety fence



Drawer under the bench



Pavilion 9.2 m² inside

PAVILION 14.9 m²



Never grill in the rain again!

People today are taking grilling and outdoor entertaining to the next level. See some fantastic outdoor pavilions with a grill and get inspired for your own backyard. You'll never have to look outside on a rainy day and think you missed a grill day today! A large Pavilion will keep you grilling all season long. There is enough space for 14 - 20 people. Inside you will find 7 inside benches (2 of them are folding benches), a standard 8-corners grill with cooking platforms, and adjustable tables, to keep your delicious bbq food. You can buy accessories such as curtains, reindeer hides, wooden dishes, and more as extra.

STANDARD SET

- Wall, floor, roof panels;
- Roof covered with bitumen shingles of your selected color;
- Inside grill with cooking platforms with tables around the grill and adjustable chimney;
- 7 double glass windows (3 of them are opening);
- Double doors with a lock and windows;
- 7 inside benches (2 of them are folding benches);
- Cushions for the benches.

TECHNICAL SPECIFICATION

Timber	Spruce
Shape	Octagonal
Room	1
Inside area	14.9 m ²
Total height till chimney	3800 mm
Wall height	1880 mm
Wall thickness	45 mm
External dimension	4298 x 4298 mm
Door size	1020 x 1598 mm
Window size	1010 x 1014 mm

OPTIONS

GRILL AND CHIMNEY SET

- **Standard 8-corners** grill and chimney
- **"Viking"** grill and chimney
- **"Viking Premium"** grill and chimney
- **Luxury** grill and chimney
- **"Premium"** 8-corners grill and chimney

OTHER OPTIONS

- Roof color;
- More opening windows;
- With/without benches and cushions;
- Exterior painting.

TRANSPORTATION

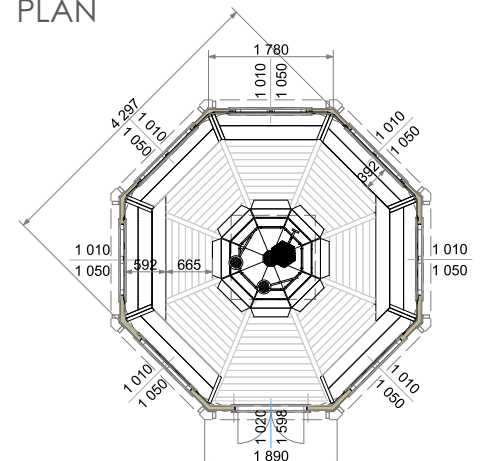
Pavilion is delivered to the customer **not assembled**, packed on a pallet (KIT), with detailed assembly instructions, drawings and maintenance recommendations.

Size of pallets (L x W x H):

3.50 x 1.20 x 2.55 m.

Weight: 1800 kg.

INSIDE PLAN

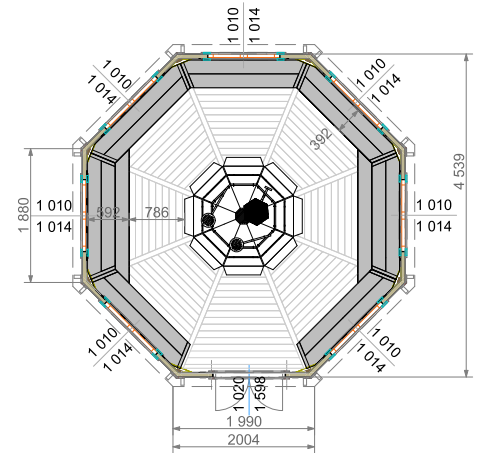




PAVILION 16.5 m²



INSIDE PLAN



Ready to transform your backyard or garden into a Pinterest-worthy outdoor BBQ place?

Spacious Pavilion 16.5 m² with a grill in the middle has the ability to pull your entire outdoor space together — and that's just what we're showcasing today. Our Pavilions bring your dream outdoor living designs to life. Pavilion walls are made of rounded spruce boards with the dimension: 45 x 145 mm. A roof is covered with bitumen shingles. Seven doubled-glazed windows, three of which open. Besides that, the doors are double-hinged and glazed. The floor of the Pavilion is made of several parts. Also, there are seven benches in the pavilion; two of them can be easily transformed into sleeping benches: just turn over the additional board.

STANDARD SET

Wall, floor, roof panels;
 Roof covered with bitumen shingles of your selected color;
 Inside grill with cooking platforms with tables around the grill and adjustable chimney;
 7 double glass windows (3 of them are opening);
 Double doors with a lock and windows;
 7 inside benches (2 of them are folding benches);
 Cushions for the benches.

TECHNICAL SPECIFICATION

Timber	Spruce
Shape	Octagonal
Room	1
Inside area	16.5 m ²
Total height till chimney	3500 mm
Wall height	1926 mm
Wall thickness	45 mm
External dimension	4539 x 4539 mm
Door size	1020 x 1598 mm
Window size	1010 x 1014 mm

OPTIONS

GRILL AND CHIMNEY SET

Standard 8-corners grill and chimney
 "Viking" grill and chimney
 "Viking Premium" grill and chimney
 Luxury grill and chimney
 "Premium" 8-corners grill and chimney

OTHER OPTIONS

Roof color;
 More opening windows;
 With/without benches and cushions;
 Exterior painting.

TRANSPORTATION

Pavilion is delivered to the customer **not assembled**, packed on a pallet (KIT), with detailed assembly instructions, drawings and maintenance recommendations.

Size of pallets (L x W x H):

3.80 x 1.20 x 2.55 m.

Weight: 1900 kg.





PAVILIONS

A stylish Pavilion can help make the garden or patio a year's gathering place. The large windows help create a nice cozy atmosphere. In addition to being a popular garden product, the gazebo is also very nice where there are beautiful views, for example by the sea or in mountain cabins with beautiful looks. The natural appeal of wood creates a warm feeling of being one with nature around you. Whether you're looking for something rustic or elegant, our classic pavilions will be a beautiful addition to your property. We produce pavilions of two types with a grill and without. Our garden pavilions can be tailored to your individual requirements, with a range of optional accessories to help you create your dream bespoke garden gazebo. Pavilions offer sheltered outdoor space for work or leisure allowing you to enjoy the beauty of all seasons because our Pavilions have large windows.

PAVILION 10 m² STANDARD

SUN



Luxurious, cozy, and very popular Pavilions of 10 m² are designed for gatherings of a family or a group of close friends. It perfectly decorates a garden or a backyard. A lot of light coming inside through big pavilion windows and glazed doors makes your rest more than delightful. Pavilion walls are made of spruce boards with dimensions of 45 x 145 mm. The roof of the pavilion is covered with bitumen shingles, and there are seven big doubled glazed windows, three of which are open. Besides that, the doors are double-hinged and glazed. The floor is easily assembled from separate components.

STANDARD SET

- Wall, roof panels;
- Floor panels from separate components;
- Roof covered with bitumen shingles of your selected color;
- Roof with wooden decorative hood;
- The finish of the roof edge with wave siding;
- 7 double glass windows (3 of them are opening);
- French style double doors with a lock and a windows.

STANDARD SET

- Wall, roof panels;
- Floor panels from separate components;
- Roof covered with bitumen shingles of your selected color;
- Roof with metal hood and decorative ball on top;
- The finish of the roof edge with straight standard siding;
- 7 double glass windows (3 of them are opening);
- Double doors with a lock and a windows.

TECHNICAL SPECIFICATION

Timber	Spruce
Shape	Octagonal
Rooms	1
Inside area	10 m ²
Total height	3424 mm
Wall height	2050 mm
Wall thickness	67 mm
External dimension	3476 x 3476 mm
Door size	1290 x 1800 mm
Window size	1290 x 1405 mm

AVAILABLE OPTIONS

- Roof color.
- More opening windows.
- Exterior painting.

TRANSPORTATION

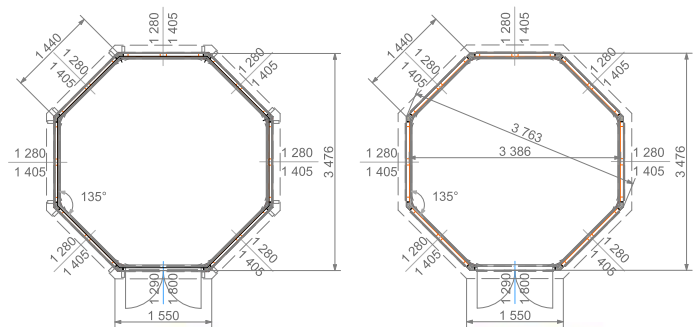
Pavilion is delivered to the customer **not assembled**, packed on a pallet (KIT), with detailed assembly instructions, drawings and maintenance recommendations.

Size of pallet (L x W x H):

3 x 1.20 x 2.40 m.

Weight: 1400 kg.

INSIDE PLAN



Pavilion STANDARD

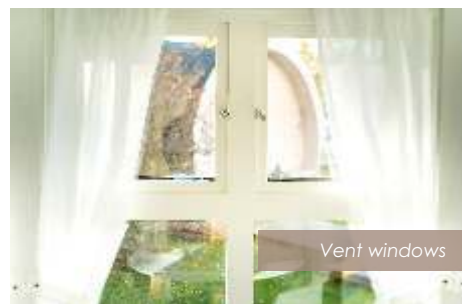


Pavilion SUN



Pavilion 10 m² (standard) in Norway

PAVILION 10 m² WITH LARGE WINDOWS



Vent windows

A highlight in your garden! Barbecue, party in the garden, or family breakfast: with a cozy entertaining space you can enjoy your garden in almost any weather. It offers protection against too much sun, rain, and wind. This model is one of three Pavilions in the 10 m² range. It has eight walls like all 10 m² Pavilions, a classic roof, a height of about three meters, floor panels of separate components, seven big windows with top vents, wide double doors, and a lot of light – these are the basic ingredients for our new trend model!

Pavilion offers flexible space and many customers use them as an extra room to have a delicious dinner, fine wine, and candles flickering in a warm cozy garden room.



STANDARD SET

Wall, roof panels;

Roof covered with bitumen shingles of your selected color;

Roof with metal hood and decorative hood on top;

The finish of the roof edge with straight standard siding;

Floor panels from separate components;

7 double glass windows (fill ground);

3 opening vents in different sides of windows;

Windows fin finishing;

Double doors with a lock and a windows.

AVAILABLE OPTIONS

Roof color.

More opening windows.

Exterior painting.

TRANSPORTATION

Pavilion is delivered to the customer **not assembled**, packed on a pallet (KIT), with detailed assembly instructions, drawings and maintenance recommendations.

Size of pallets (L x W x H):

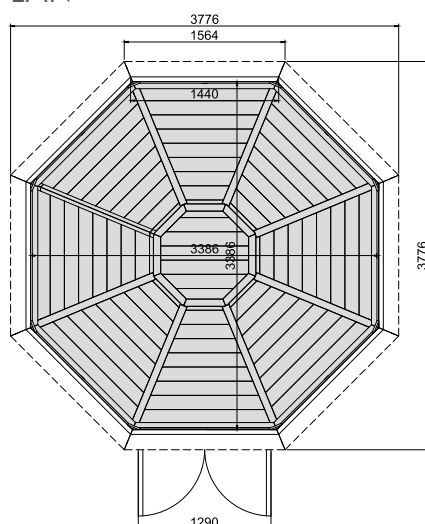
3 x 1.20 x 2.50 m.

Weight: 1400 kg.

TECHNICAL SPECIFICATION

Timber	Spruce
Shape	Octagonal
Room	1
Inside area	10 m ²
Total height	3330 mm
Wall height	2050 mm
Window size	1300 x 1810 mm
Vent window size	565 x 565 mm
Wall thickness	45 mm
External dimension	3477 x 3477 mm
Door size	1290 x 1800 mm

INSIDE PLAN





Pavilion 10 m² with large windows interior

GAZEBO 9.9 m²



Pavilion GAZEBO inside

The comfortable and cozy open Pavilion Gazebo of 9.9 m² is great for a get-together of family and friends. This Pavilion is the only one without windows in our assortment, but it has a roof and few closed and open walls. Therefore it gives a great opportunity to take a rest or have a small celebration and enjoy fresh air even if there is light rain outside. Pavilion walls are made of spruce boards with dimensions of 45 x 145 mm. The roof of the Pavilion is covered with bitumen shingles, for which different colors can be selected. The pavilion has three closed, four open walls, and one open entrance wall.

STANDARD SET

- Walls: 3 pcs of closed walls; 4 pcs of open walls; entrance wall;
- Roof panels, covered with bitumen shingles of your selected color;
- Impregnated ground boards.

TECHNICAL SPECIFICATION

Timber	Spruce
Shape	Octagonal
Room	1
Inside area	9.9 m ²
Total height	3400 mm
Wall height	1880 mm
Wall thickness	45 mm
External dimension	3476 x 3476 mm

AVAILABLE OPTIONS

- Roof color;
- Exterior painting.



TRANSPORTATION

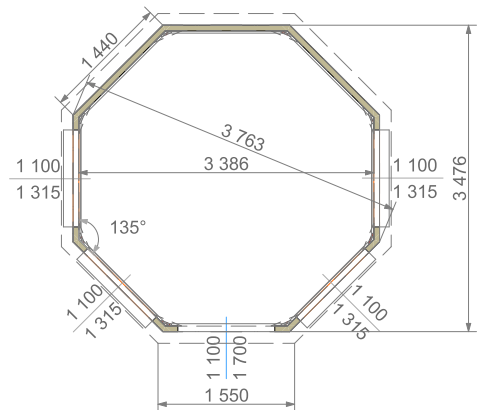
Pavilion is delivered to the customer **not assembled**, packed on a pallet (KIT), with detailed assembly instructions, drawings and maintenance recommendations.

Size of pallets (L x W x H):

3 x 1.20 x 2.50 m.

Weight: 1100 kg.

INSIDE PLAN





Pavilion 9.9 m² GAZEBO

EXAMPLE

GARDEN CUBE PROJECT WITH GRILL AND SAUNA AREAS

Not all BBQ shelters have to be rustic. This modern Garden Cube project with grilling, sauna, and lounge area helps provide some shade and a spot for your family and friends to create memories.



AUTOMATIC MACHINE

SPRAY TECHNOLOGY *Benefits*

One of the main and most obvious benefits of using a paint machine is the speed and flexibility at which we can suggest our painting service for all of our products. A spray paint machine can get the work done faster and more consistently than manual painting. While the machine works faster, it improves quality too – sprayers produce an even coat of paint, leaving a high-quality finish.

From now on with our painting service, we can offer our clients maximum flexibility!
Not assembled products such as Grill cabins, Pavilions, Camping pods, and other products of any size can be ordered painted too!

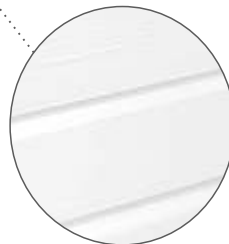


SCAN ME

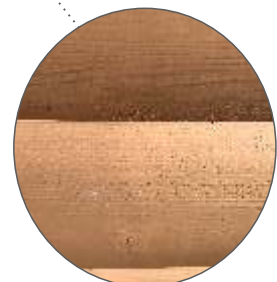
PROFESSIONALLY SPRAY

The high-quality preservative finish is professionally spray-applied in the factory to three sides of the wood.

The product is treated in your choice of color. You can choose two colors for one product: one for almost all product details and another for finishing details.



TREATED WITH WOOD
PAINT



TREATED WITH WOOD
STAIN

ACCESSORIES

FOR GRILL CABINS AND PAVILIONS



GRILL COVER

The grill cover is made from spruce. It covers a grill so that you can use the grill place as a table.



FIREWOOD RING

The firewood ring is made from steel which is painted using a powder coating that fits all grills we offer.



GRILL TABLE'S SAFETY FENCE, 6 - CORNERS

A solid steel fence provides better grill table protection from fire sparks.



GRILL TABLE'S SAFETY FENCE, 8 - CORNERS

A solid steel fence provides better grill table protection from fire sparks.



REINDEER HIDES

Natural reindeer hides. Country of origin - Finland. The size of reindeer hides is 120-130 cm in length.



DRAWER

The drawer should be placed under the benches. Is suitable for all grill cabins and pavilions that have benches. Size of a drawer: 56 x 37 x 24 cm.



TABLE AND BENCHES SET

1 m long table and benches set for grill cabin 25 m².

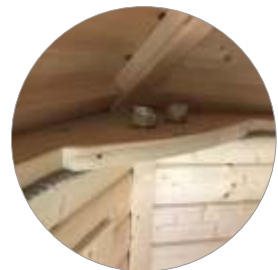
- Table: 1000 (L) x 600 (W) x 750 (H).
- Bench 1000 (L) x 400 (W) x 500 (H).



FLOWER POT

The flower pot should be placed under the windows.

Size of the pot: 107 x 21 x 16 cm.



SHELF FOR CABINS

Corner shelves are a great place to keep your things and the walls look less empty.

- 6 - corners shelf size: 49 x 19 cm.
 - 8 - corners shelf size: 74 x 30 cm.
-



STANDARD GRILL AND CHIMNEY KIT 6-CORNERS

Standard set:

Grill with the cooking platforms;
The table around the grill;
Adjustable chimney.
Grill is made from 2 mm cold rolled steel sheets and welded using TIG-type welding.
The chimney is produced from the 1 mm steel using spot-welding technique. All surfaces are painted using a powder coating. Color does not change in 200 degree.
The total height of the chimney is 220 cm. Grill height till the table is 70 cm.



STANDARD GRILL AND CHIMNEY KIT 8-CORNERS

Standard set:

Grill with the cooking platforms;
The table around the grill;
Adjustable chimney.
Grill is made from 2 mm cold rolled steel sheets and welded using TIG-type welding.
The chimney is produced from the 1 mm steel using spot-welding technique. All surfaces are painted using a powder coating. Color does not change in 200 degree.
The total height of the chimney is 265 cm. Grill height till the table is 70 cm.



"VIKING" GRILL AND CHIMNEY KIT

Standard set:

Grill with the cooking platforms;
The table around the grill;
Adjustable chimney.
All surfaces are painted using a powder coating. The powder paint is marked to withstand 550 degrees (not direct flames).
Total height of the chimney is 206 cm. Grill height till the table is 62 cm.



"VIKING" GRILL AND CHIMNEY KIT

Standard set:

Grill with the cooking platforms;
The table around the grill;
Adjustable chimney.
All surfaces are painted using a powder coating. The powder paint is marked to withstand 550 degrees (not direct flames).
The total height of the chimney is 206 cm. Grill height till the table is 62 cm.



"LUXURY" GRILL AND CHIMNEY KIT

Standard set:

Grill with the cooking platforms;
The table around the grill;
Adjustable chimney.
All surfaces are painted using a powder coating. The powder paint is marked to withstand 400 degrees (not direct flames).
The total height of the chimney is 250 cm. Grill height till the table is 75 cm.



"PREMIUM" GRILL AND CHIMNEY KIT, 6-CORNERS

Standard set:

Grill with the cooking platforms;
The table around the grill;
Adjustable chimney.
Grill is made from 2 mm cold rolled steel sheets and welded using TIG-type welding.
The chimney is produced from the 1 mm steel using spot-welding technique. All surfaces are painted using a powder coating. Color does not change in 200 degree.
The total height of the chimney is 220 cm. Grill height till the table is 70 cm.



"PREMIUM" GRILL AND CHIMNEY KIT, 8-CORNERS

Standard set:

Grill with the cooking platforms;
The table around the grill;
Adjustable chimney.
Grill is made from 2 mm cold rolled steel sheets and welded using TIG-type welding.
The chimney is produced from the 1 mm steel using spot-welding technique. All surfaces are painted using a powder coating. Color does not change in 200 degree.
The total height of the chimney is 220 cm. Grill height till the table is 70 cm.

FOR GRILL CABINS AND PAVILIONS



CURTAINS SET FOR PAVILIONS

White color

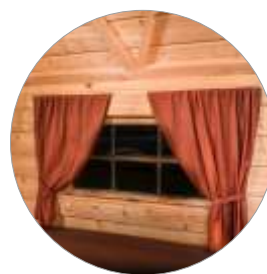
100 % linen curtains for Pavilions. Dimensions (WxL): 105 x 160 cm; Package contains curtains; curtain wire (full curtain wire set – 4 m length wire, brackets, and other necessary accessories); decorative cords.



CURTAINS SET FOR GRILL CABINS

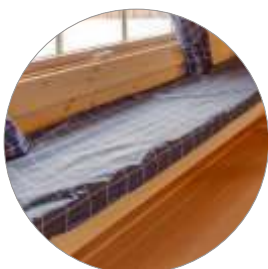
Blue color

100 % cotton curtains for Grill cabins. Similar colors benches cushions: brown and blue; Dimensions (WxL): 75 x 75 cm; Package contains of 2 units of curtains; 1 curtain wire; 2 decorative cords.



CURTAINS SET FOR GRILL CABINS

Brown color



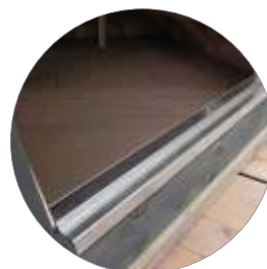
CUSHIONS FOR THE BENCHES

Cushions for benches can be brown or blue. Size is ordered according to the individual sizes of the cabin benches.



DOOR STOPPER

Door stopper from steel.



STAINLESS STEEL DOOR SILL

It protects the front door sills from scratches and dirt. Made of 1 mm finished stainless steel. Suitable for products with standard wooden doors.



WOODEN DISH FLATWARE SET "OPTIMAL"

This set consists of:
4 Ø 22 cm oak wood plates;
4 natural antler handle forks;
4 natural antler handle spoons;
Ø 20 cm oak wood coaster;
25 x 20 cm oak wood cutting board.



WOODEN DISH FLATWARE SET "LUXURY"

This set consists of:
6 Ø 22 cm oak wood plates;
6 natural antler handle forks;
6 natural antler handle knives;
6 natural antler handle spoons;
Ø 20 cm oak wood coaster;
Elmwood two bowl plate;
25 x 20 cm oak wood cutting board.



WOODEN DISH FLATWARE SET "BASIC"

This set consists of:
4 Ø 22 cm oak wood plates;
4 natural antler handle forks;
4 natural antler handle knives;
Elmwood two bowl plate.



REAL PRODUCTS FOR REAL PEOPLE

We bring back the joy of communication!



QUALITY, FLEXIBILITY, SHORT TERMS

www.vikingindustrier.com

OUR QUALITY STANDARD



Serial No. 2024/02